

C115/C115T

Surface-mount loudspeaker

architectural

features

- ▶ 5" (125mm) ICT™ transducer
- ▶ Weather resistant enclosure and transducer
- ▶ Versatile mounting arrangement

applications

- ▶ Retail outlets
- ▶ Hotels, bars and restaurants
- ▶ Health clubs
- ▶ Theme parks



The elegant surface-mount C115 loudspeaker is ideal for reproducing both speech and background music in a distributed sound system. Its unobtrusive, lightweight polypropylene injection-moulded enclosure withstands most weather conditions and protects the weather-resistant drive unit in exposed locations.

Features include wide bandwidth and high output capability from a two-way, 5" ICT™ drive unit. Patented ICT™ (Inductively Coupled Transducer) high frequency technology avoids the tweeter voice coil burn-out so often found in background music systems.

A versatile, integral bracket permits close coupling to the wall and 40° horizontal / 35° vertical off-axis adjustment. Non-intrusive corner mounting and array options provide the flexibility for optimum siting in any particular architectural environment.

The C115 is available in low impedance electrical or line transformer configuration - the latter being easily switched between tapings by use of a screwdriver.

The C115 and C516 share similar sound characteristics, allowing flush and surface mount loudspeaker systems to make use of the same control electronics when specifying a system.

Century Point, Halifax Road, Cressex Business Park,
High Wycombe, Buckinghamshire HP12 3SL, England.
Telephone: +44 (0)1494 535312 Facsimile: +44 (0)1494 438669
E-mail: info@martin-audio.com
All information is Copyright © 2003 Martin Audio Ltd.

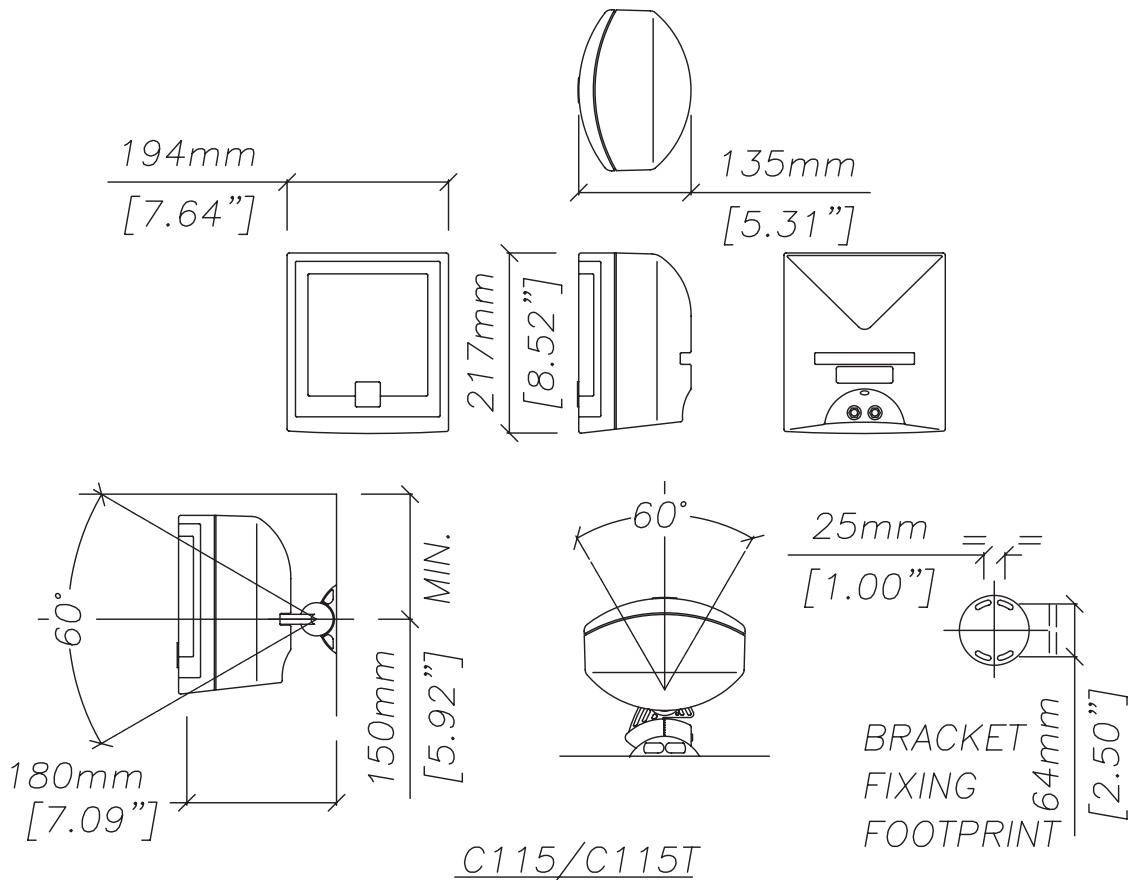


C115/C115T

Surface-mount loudspeaker

overall dimensions

architectural



Century Point, Halifax Road, Cressex Business Park,
High Wycombe, Buckinghamshire HP12 3SL, England.
Telephone: +44 (0)1494 535312 Facsimile: +44 (0)1494 438669
E-mail: info@martin-audio.com
All information is Copyright © 2003 Martin Audio Ltd.



CI 15/CI 15T

Surface-mount loudspeaker

technical specifications

TYPE	Ultra-compact, two-way ICT™
FREQUENCY	80Hz-20kHz
RESPONSE (1)	120Hz-20kHz ± 3dB
DRIVERS	5" (125mm) full-range ICT™
RATED POWER (2)	50W AES, 200W peak
RECOMMENDED AMPLIFIER	MA2.8Q
SENSITIVITY (3)	88dB
MAXIMUM SPL (4)	105dB continuous, 111dB peak
NOMINAL IMPEDANCE	8 ohms
DISPERSION (-6dB)	90° conical
CROSSOVER	-
ENCLOSURE	Mineral loaded polypropylene
FINISH	Light grey or graphite
PROTECTIVE GRILLE	Perforated steel
CONNECTORS	Binding posts
OPTIONS	30W line transformer Shielded magnet
DIMENSIONS	(W) 194mm x (H) 217mm x (D) 135mm (W) 7.6ins x (H) 8.5ins x (D) 5.3ins
WEIGHT	1.7kg (3.7lbs)

accessories

HTKC1151	Single Corner Bracket
HTKC1152	Twin Bracket

Notes

- (1) Measured on-axis in half space at 2 metres, then referred to 1 metre.
- (2) AES Standard ANSI S4.26-1984.
- (3) Measured in half space conditions at 2 metres with 1 watt input, using band limited pink noise, then referred to 1 metre.
- (4) Measured in half space conditions at 2 metres using band limited pink noise, then referred to 1 metre.

Trade Descriptions Act

Due to Martin Audio's policy of continuing improvement, we reserve the right to alter these specifications without prior notice. Martin Audio is committed to refining state of the art sound reinforcement, combining in-depth product and field applications research with advanced manufacturing techniques. Every Martin Audio product is built to the highest manufacturing standards and rigorously tested to ensure that it meets the performance criteria specified in the design.

architectural and engineering specifications

The loudspeaker system shall be of the two-way passive type consisting of one 5" (125mm) ICT™ driver with a concentric high frequency diaphragm loaded by a phase plug and waveguide housed in a vented polypropylene enclosure.

Performance of the loudspeaker system shall meet or exceed the following criteria:

Frequency response measured 1 metre on axis shall be 120Hz-20kHz ±3dB.

High frequency dispersion at -6dB points shall be 90° H x 90° V.

Power handling shall be 50W AES, 200W peak.

Rated impedance shall be 8 ohms.

Maximum SPL measured at 1 metre on axis shall be 105dB continuous, 111dB peak.

Dimensions (W) 194mm x (H) 217mm x (D) 135mm (7.6ins x 8.5ins x 5.3ins).

Weight 1.7kg (3.7lbs).

The loudspeaker system shall be the Martin Audio CI 15.

Century Point, Halifax Road, Cressex Business Park,
High Wycombe, Buckinghamshire HP12 3SL, England.
Telephone: +44 (0)1494 535312 Facsimile: +44 (0)1494 438669
E-mail: info@martin-audio.com
All information is Copyright © 2003 Martin Audio Ltd.

