

CMXIA

Dedicated Screen 4 Controller

cinema

features

- ▶ Dedicated Screen 4 Controller
- ▶ 3 in 6 out for left centre right control
- ▶ Pre-set screen compensation equalisation

applications

- ▶ Control of Screen 4 systems



The dedicated electronic controller CMXIA is a 3 in 6 out device designed to maximise performance of the Screen 4 system.

Crossover frequencies, relative output levels, delay and screen compensated equalisation are all pre-set. Left, centre and right inputs are provided and there are low pass and high pass outputs for each channel.

Century Point, Halifax Road, Cressex Business Park,
High Wycombe, Buckinghamshire HP12 3SL, England.
Telephone: +44 (0)1494 535312 Facsimile: +44 (0)1494 438669
E-mail: info@martin-audio.com
All information is Copyright © 2003 Martin Audio Ltd.

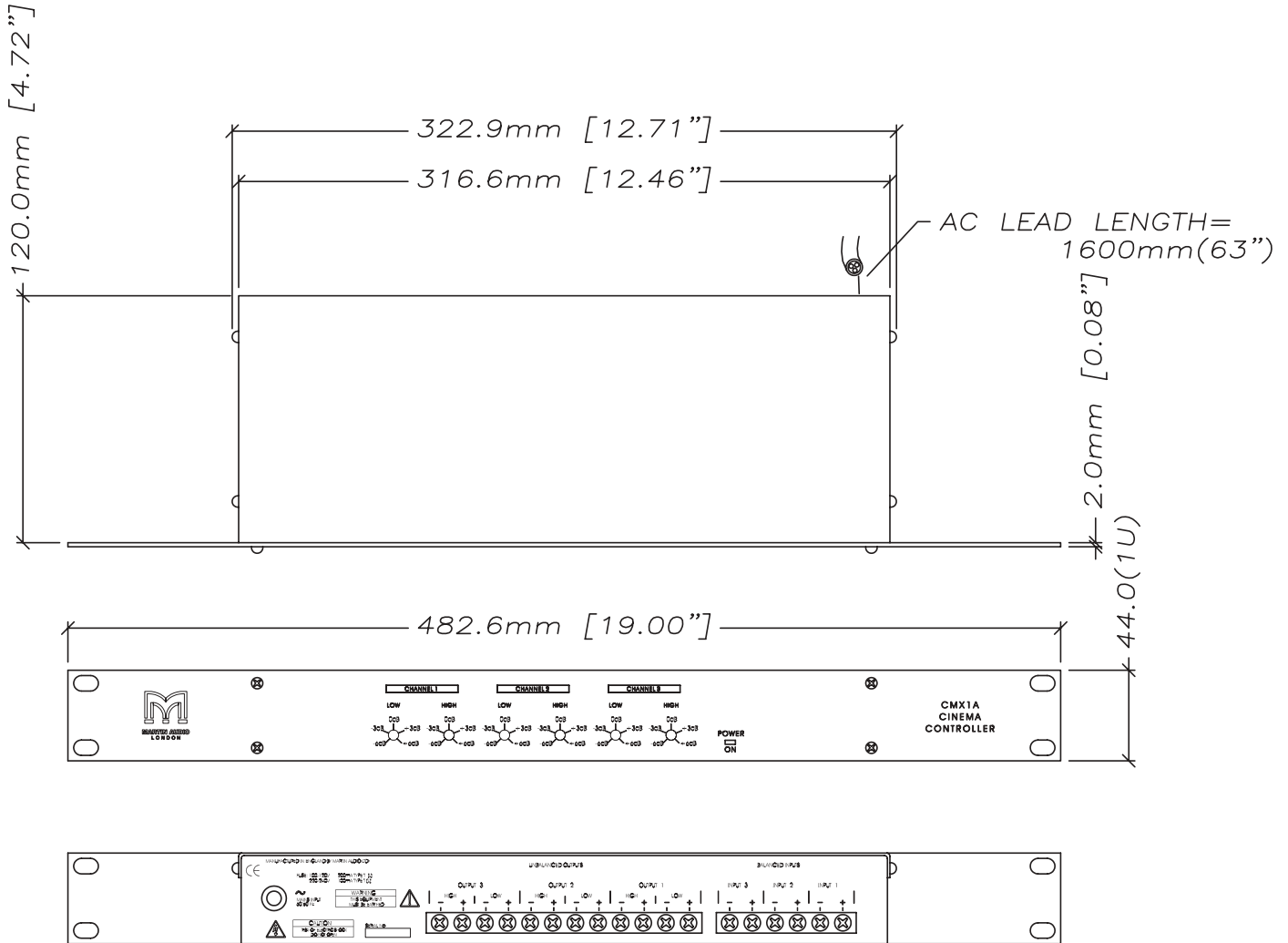


CMX1A

Dedicated Screen 4 Controller

overall dimensions

cinema



CMX1A

Century Point, Halifax Road, Cressex Business Park,
High Wycombe, Buckinghamshire HP12 3SL, England.
Telephone: +44 (0)1494 535312 Facsimile: +44 (0)1494 438669
E-mail: info@martin-audio.com
All information is Copyright © 2003 Martin Audio Ltd.



CMXIA

Dedicated Screen 4 Controller

technical specifications

MAINS SUPPLY	Captive 2m 3-core cable with moulded Schuko 2-pin plug with double earth contact
MAINS	Internally selectable by hard wire link 100-120/220-240v AC, VOLTAGE 50/60Hz. Mains voltage tolerance $\pm 10\%$ on each setting
MAINS FUSE	100-120V AC Fit 200mA Type T 220-240V AC Fit 100mA Type T
POWER CONSUMPTION	5 V.A.
INPUTS	20K ohms electronically balanced on M4 terminals
OUTPUTS	100R unbalanced on M4 terminals
SIGNAL + NOISE/NOISE RATIO	> 102dB @ 2V output
DISTORTION	1kHz 2V output 0.007% 100Hz 2V output 0.003%
DIMENSIONS	(W) 482mm x (H) 44mm x (D) 118mm (W) 19ins x (H) 1.75ins x (D) 4.6ins
WEIGHT	1.4kg (3lbs)

architectural and engineering specifications

The electronic system controller shall operate as a 3 in, 6 out 2-way device designed to maximise the performance of the Screen 4 loudspeaker system. Crossover frequencies, relative output levels, delay and screen compensated equalisation shall all be pre-set. Balanced left, centre and right inputs shall be provided and there shall be low pass and high pass outputs for each channel. All outputs shall include -6dB to $+6\text{dB}$ front panel level controls. The power supply shall be capable of operating from a 100-120/220-240V 50/60Hz AC mains power source.

Dimensions (W) 482mm x (H) 44mm (1U) x (D) 118mm (19ins x 1.75ins x 4.6ins).
Weight 1.4kg (3lbs).

The electronic loudspeaker system controller shall be the Martin Audio CMXIA.

Notes

- (1) Measured on-axis in half space at 2 metres, then referred to 1 metre.
- (2) AES Standard ANSI S4.26-1984.
- (3) Measured in half space conditions at 2 metres with 1 watt input, using band limited pink noise, then referred to 1 metre.
- (4) Measured in half space conditions at 2 metres using band limited pink noise, then referred to 1 metre.

Trade Descriptions Act

Due to Martin Audio's policy of continuing improvement, we reserve the right to alter these specifications without prior notice. Martin Audio is committed to refining state of the art sound reinforcement, combining in-depth product and field applications research with advanced manufacturing techniques. Every Martin Audio product is built to the highest manufacturing standards and rigorously tested to ensure that it meets the performance criteria specified in the design.

Century Point, Halifax Road, Cressex Business Park,
High Wycombe, Buckinghamshire HP12 3SL, England.
Telephone: +44 (0)1494 535312 Facsimile: +44 (0)1494 438669
E-mail: info@martin-audio.com
All information is Copyright © 2003 Martin Audio Ltd.

