

CSX112-WR

Compact Subwoofer - Weatherised

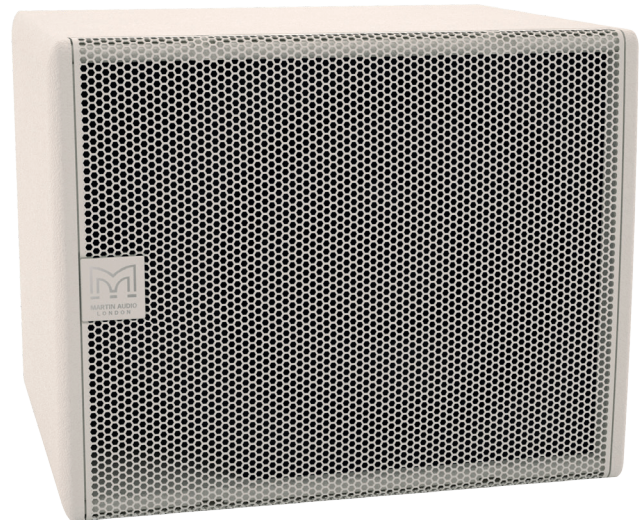


Features

- Compact, direct-radiator subwoofer
- 12" (300mm) driver with 3" (75mm) voice coil
- High efficiency 100dB/1W/1m half-space
- Water resistant cone
- Large ports for reduced air noise
- Ultra-compact, architecturally-friendly enclosure
- Zinc plated mild steel grille with powder coated finish
- Plywood cabinets with polyurea coating
- Operating temperature -20°C to +70°C
- Environmentally tested to meet IP24
- Flying points with fixings made from stainless steel
- Black or white standard colour options

Applications

- Outdoor restaurants, bars, hotel areas
- Nearfield systems in outdoor stadia, transport hubs, concourses and theme parks



The CSX112-WR is an ultra-compact direct radiating sub-bass system designed to extend the bandwidth and increase the headroom of CDD full-range models from the CDD5TX-WR to the CDD10-WR and is suitable for outdoor applications where it will be subject to changing environmental conditions, but sheltered from direct exposure to the elements. It features a very efficient 12" (300mm) long-throw bass driver with a high power 3" (75mm) voice coil and generously-sized reflex ports for low noise, high power operation.

With a response of 48Hz-150Hz \pm 3dB, the ultra-compact size of the CSX112-WR makes it an ideal partner for CDD Series systems where space is at a premium. The enclosure is constructed from plywood with polyurea coating, while the driver

is protected by a water and particle resistant zinc plated mild steel grille with powder coated finish, which is pre-curved to withstand physical damage.

Finished in black (RAL9005) or white (RAL9016) as standard, CSX112-WR is supplied with flying points with fixings made from stainless steel. Operating temperature is from -20°C to +70°C and they are environmentally tested to meet IP24.

When used with CDD full-range systems, crossover and EQ functions can either be performed by the DX0.5 and DX4.0 system controllers, or by an iKON amplifier.

CSX112-WR

Compact Subwoofer - Weatherised



Technical Specifications

Acoustical

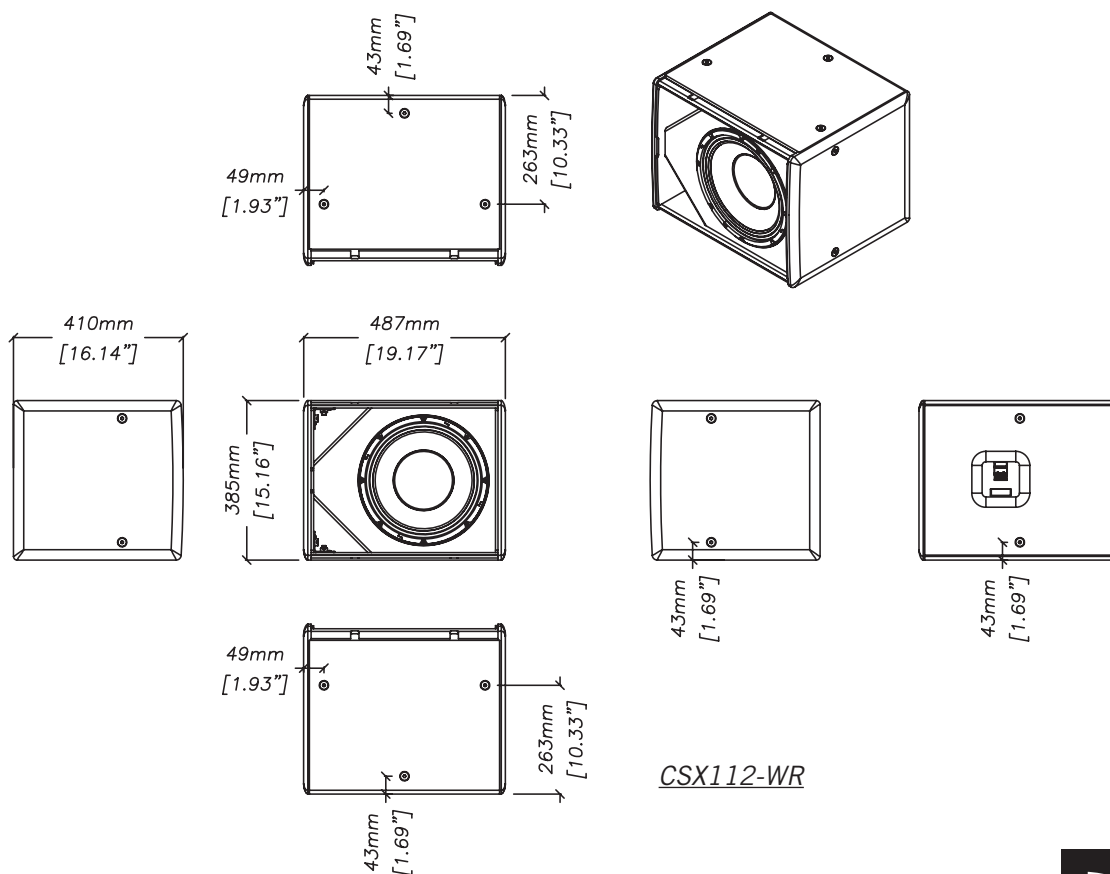
TYPE	Compact, single driver, direct radiating subwoofer
FREQUENCY RESPONSE (1)	48Hz-150Hz \pm 3dB -10dB @ 35Hz
DRIVER	12" (300mm)/3" (75mm) voice coil, long excursion, ferrite magnet, waterproof cone
RATED POWER (2)	400W AES, 1600W peak
RECOMMENDED AMPLIFIER	iK81 / VIA2502/5002/5004
SENSITIVITY (10)	100dB
MAXIMUM SPL (9)	126dB continuous, 132dB peak (half space)
NOMINAL IMPEDANCE	8 ohms
DISPERSION (-6dB)	Omnidirectional
CROSSOVER	80-120Hz active
ENCLOSURE	52 litre, Exterior grade plywood, Flying points with fixings made from stainless steel
FINISH	Black or white Poly Urea coating
PROTECTIVE GRILLE	Black or white zinc plated mild steel grille with powder coated finish
ENVIRONMENTAL	Rated at IP24
CONNECTORS	Low profile 20A push-lock, weatherproof input panel cover with cable gland
PIN CONNECTIONS	Left to right: Input+, Input -, Link -, Link+
DIMENSIONS	(W) 487mm x (H) 385mm x (D) 410mm (W) 19.2ins x (H) 15.2ins x (D) 16.1ins
WEIGHT	22kg (48.5lbs)

Notes

- (1) Measured on-axis in half (2pi) space at 2 metres, then referred to 1 metre.
- (2) AES Standard ANSI S4.26-1984.
- (3) Measured in half (2pi) space at 2 metres with 1 watt input, using band limited pink noise, then referred to 1 metre.
- (4) Measured in half (2pi) space at 2 metres using band limited pink noise, then referred to 1 metre.
- (5) Measured on-axis in open (4pi) space at 2 metres, then referred to 1 metre.
- (6) Measured in open (4pi) space at 2 metres with 1 watt input, using band limited pink noise, then referred to 1 metre.
- (7) Measured in open (4pi) space at 2 metres using band limited pink noise, then referred to 1 metre.
- (8) Measured in open (4pi) space at 2 metres with 2.83V input, using band limited pink noise, then referred to 1 metre.
- (9) Calculated at 1 metre.
- (10) Measured in half (2pi) space at 2 metres with 2.83V input, using band limited pink noise, then referred to 1 metre.

Trade Descriptions Act

Due to Martin Audio's policy of continuing improvement, we reserve the right to alter these specifications without prior notice. Martin Audio is committed to refining state of the art sound reinforcement, combining in-depth product and field applications research with advanced manufacturing techniques. Every Martin Audio product is built to the highest manufacturing standards and rigorously tested to ensure that it meets the performance criteria specified in the design.



CSX112-WR