

# CSX212-WR

Compact Subwoofer - Weatherised



## Features

- Compact, direct-radiator subwoofer
- 2 x 12" (300mm) drivers with 3" (75mm) voice coils
- Water resistant cones
- Compact, low-profile styling
- Large ports for reduced air noise
- Zinc plated mild steel grille with powder coated finish
- Plywood cabinets with polyurea coating
- Operating temperature -20°C to +70°C
- Environmentally tested to meet IP24
- Flying points with fixings made from stainless steel
- Black or white standard colour options

## Applications

- Outdoor restaurants, bars, hotel areas
- Nearfield systems in outdoor stadia, transport hubs, concourses and theme parks



With twin high-efficiency 12" (300mm)/3" (75mm) voice coil long-throw bass drivers and optimally-sized reflex ports to minimise air noise, the CSX212-WR is the perfect sub-bass where low frequency extension and impact is required from a very compact, unobtrusive, low-profile enclosure and suitable for outdoor applications where it will be subject to changing environmental conditions but sheltered from direct exposure to the elements.

The CSX212-WR is designed to be used with CDD Series full-range systems from the CDD5-WR to the CDD12-WR and extends the low frequency operating range of the combined system down to 40Hz. The enclosure is constructed from plywood with

polyurea coating, while the drivers are protected by a water and particle resistant zinc plated mild steel grille with powder coated finish, which is pre-curved to withstand physical damage.

Finished in black (RAL9005) or white (RAL9016) as standard, CSX212-WR is supplied with flying points with fixings made from stainless steel. Operating temperature is from -20°C to +70°C and they are environmentally tested to meet IP24.

When used with CDD full-range systems, crossover and EQ functions can either be performed by the DX0.5 and DX4.0 system controllers, or by an iKON amplifier.

# CSX212-WR

## Compact Subwoofer - Weatherised



### Technical Specifications

#### Acoustical

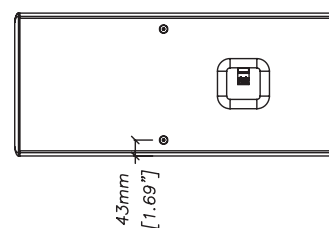
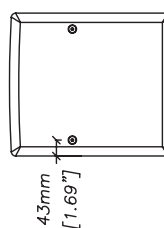
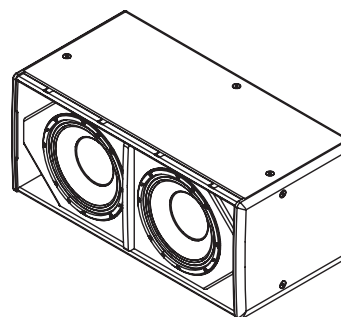
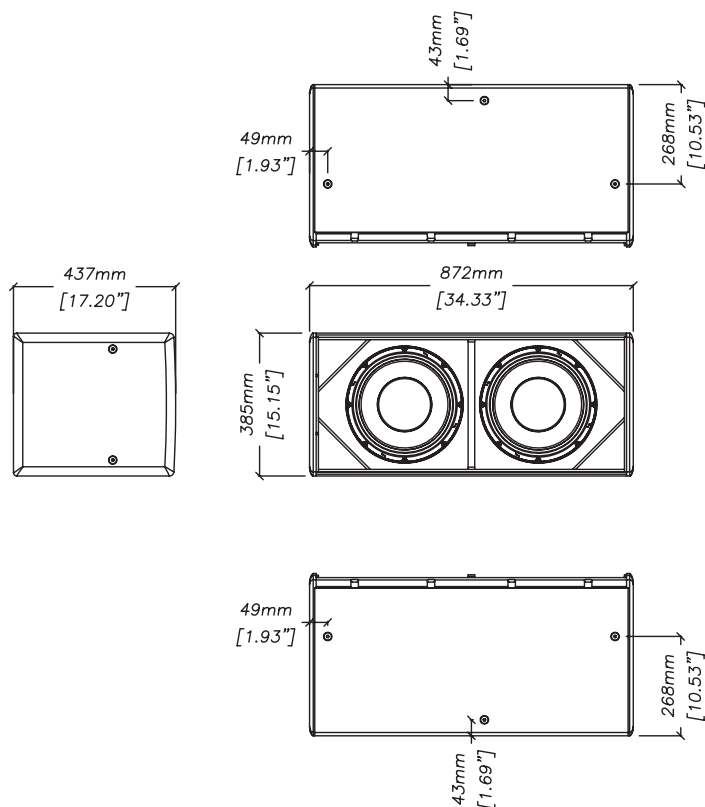
TYPE	Compact, dual-driver, direct radiating subwoofer
FREQUENCY RESPONSE (1)	48Hz-150Hz $\pm$ 3dB
	-10dB @ 35Hz
DRIVER	2 x 12" (300mm)/3" (75mm) voice coil, long excursion, ferrite magnet, waterproof cone
RATED POWER (2)	800W AES, 3200W peak
RECOMMENDED AMPLIFIER	iK42 / VIA5002/5004
SENSITIVITY (10)	106dB
MAXIMUM SPL (9)	132dB continuous, 138dB peak (half space)
NOMINAL IMPEDANCE	4 ohms
DISPERSION (-6dB)	Omnidirectional
CROSSOVER	80-120Hz active
ENCLOSURE	100 litre, Exterior grade Plywood, Flying points with fixings made from stainless steel
FINISH	Black or white Poly Urea coating
PROTECTIVE GRILLE	Black or white zinc plated mild steel grille with powder coated finish
ENVIROMENTAL	Rated at IP24
CONNECTORS	Low profile 20A push-lock, weatherproof input panel cover with cable gland
PIN CONNECTIONS	Left to right: Input+, Input -, Link -, Link+
DIMENSIONS	(W) 872mm x (H) 385mm x (D) 437mm (W) 34.3ins x (H) 15.2ins x (D) 17.2ins
WEIGHT	39.5kg (87lbs)

#### Notes

- (1) Measured on-axis in half (2pi) space at 2 metres, then referred to 1 metre.
- (2) AES Standard ANSI S4.26-1984.
- (3) Measured in half (2pi) space at 2 metres with 1 watt input, using band limited pink noise, then referred to 1 metre.
- (4) Measured in half (2pi) space at 2 metres using band limited pink noise, then referred to 1 metre.
- (5) Measured on-axis in open (4pi) space at 2 metres, then referred to 1 metre.
- (6) Measured in open (4pi) space at 2 metres with 1 watt input, using band limited pink noise, then referred to 1 metre.
- (7) Measured in open (4pi) space at 2 metres using band limited pink noise, then referred to 1 metre.
- (8) Measured in open (4pi) space at 2 metres with 2.83V input, using band limited pink noise, then referred to 1 metre.
- (9) Calculated at 1 metre.
- (10) Measured in half (2pi) space at 2 metres with 2.83V input, using band limited pink noise, then referred to 1 metre.

#### Trade Descriptions Act

Due to Martin Audio's policy of continuing improvement, we reserve the right to alter these specifications without prior notice. Martin Audio is committed to refining state of the art sound reinforcement, combining in-depth product and field applications research with advanced manufacturing techniques. Every Martin Audio product is built to the highest manufacturing standards and rigorously tested to ensure that it meets the performance criteria specified in the design.



CSX212-WR