

CSX218-WR

Dual-driver Subwoofer - Weatherised



Features

- Dual-driver, direct-radiator subwoofer
- 2 x 18" (460mm) drivers with 4" (100mm) voice coils
- Water resistant cones
- Very high output capability
- Large ports for reduced air noise
- Zinc plated mild steel grille with powder coated finish
- Plywood cabinets with polyurea coating
- Operating temperature -20°C to +70°C
- Environmentally tested to meet IP24
- Flying points with fixings made from stainless steel
- Black or white standard colour options

Applications

- Outdoor restaurants, bars, hotel areas
- Nearfield systems in outdoor stadia, transport hubs, concourses and theme parks



The CSX218-WR achieves the ultimate in subwoofer performance for the most prestigious CDD-WR Series applications – delivering very high output levels and superb transient performance with minimal distortion and suitable for outdoor applications where it will be subject to changing environmental conditions but sheltered from direct exposure to the elements. With an operating range of 35Hz-150Hz \pm 3dB, it houses dual 18" long-excursion (460mm)/4" (100mm) voice coil drivers with water-resistant cones and triple roll surrounds. Each driver is rated to handle 1000 watts AES, and has a magnet structure and suspension engineered for maximum linear excursion.

The enclosure of the CSX218-WR is constructed from plywood with polyurea coating, while the drivers are protected by a water and particle resistant zinc plated mild steel grille with powder coated finish.

Finished in black (RAL9005) or white (RAL9016) as standard, the CSX218-WR is supplied fitted with flying points and fixings made from stainless steel.

When used with CDD full-range systems, crossover and EQ functions can either be performed by the DX0.5 and DX4.0 system controllers, or by an iKON amplifier.

CSX218-WR

Dual-driver Subwoofer - Weatherised

Technical Specifications

Acoustical

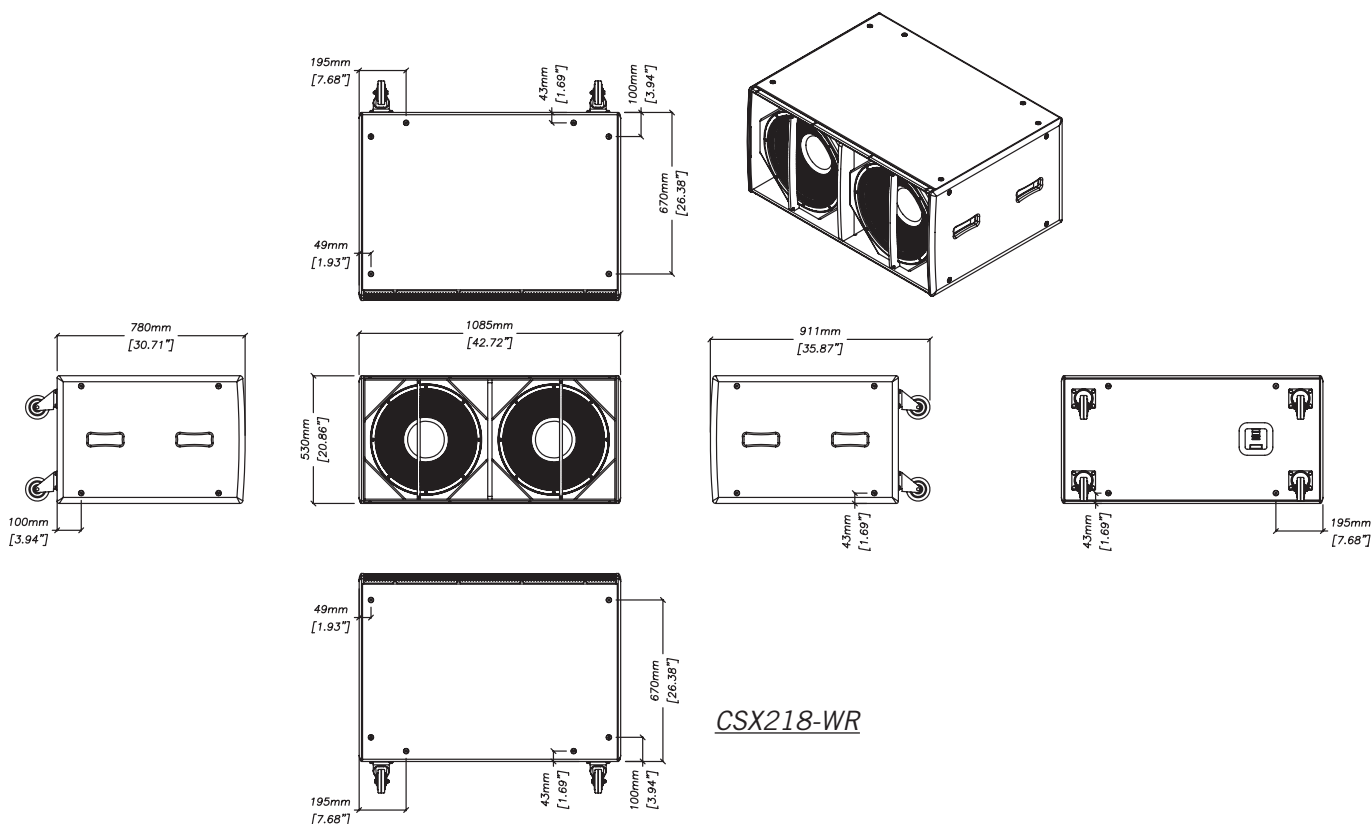
TYPE	Dual-driver, direct radiating subwoofer
FREQUENCY RESPONSE (1)	35Hz-150Hz ± 3dB -10dB @ 30Hz
DRIVER	2 x 18" (460mm)/4" (100mm) voice coil, long excursion, ferrite magnet, waterproof cone
RATED POWER (2)	2000W AES, 8000W peak
RECOMMENDED AMPLIFIER	iK42 / VIA5002/5004
SENSITIVITY (10)	108dB
MAXIMUM SPL (9)	138dB continuous, 144dB peak (half space)
NOMINAL IMPEDANCE	4 ohms
DISPERSION (-6dB)	Omnidirectional
CROSSOVER	80-120Hz active
ENCLOSURE	330 litre, Exterior grade Plywood, Flying points with fixings made from stainless steel
FINISH	Black or white Poly Urea coating
PROTECTIVE GRILLE	Black or white zinc plated mild steel grille with powder coated finish
ENVIRONMENTAL	Rated at IP24
CONNECTORS	Low profile 20A push-lock, weatherproof input panel cover with cable gland
PIN CONNECTIONS	Left to right: Input+, Input -, Link -, Link+
DIMENSIONS	(W) 1085mm x (H) 530mm x (D) 780mm* (W) 42.7ins x (H) 20.9ins x (D) 30.7ins* * 905mm/35.6ins with wheels
WEIGHT	85kg (187.4)

Notes

- (1) Measured on-axis in half (2pi) space at 2 metres, then referred to 1 metre.
- (2) AES Standard ANSI S4.26-1984.
- (3) Measured in half (2pi) space at 2 metres with 1 watt input, using band limited pink noise, then referred to 1 metre.
- (4) Measured in half (2pi) space at 2 metres using band limited pink noise, then referred to 1 metre.
- (5) Measured on-axis in open (4pi) space at 2 metres, then referred to 1 metre.
- (6) Measured in open (4pi) space at 2 metres with 1 watt input, using band limited pink noise, then referred to 1 metre.
- (7) Measured in open (4pi) space at 2 metres using band limited pink noise, then referred to 1 metre.
- (8) Measured in open (4pi) space at 2 metres with 2.83V input, using band limited pink noise, then referred to 1 metre.
- (9) Calculated at 1 metre.
- (10) Measured in half (2pi) space at 2 metres with 2.83V input, using band limited pink noise, then referred to 1 metre.

Trade Descriptions Act

Due to Martin Audio's policy of continuing improvement, we reserve the right to alter these specifications without prior notice. Martin Audio is committed to refining state of the art sound reinforcement, combining in-depth product and field applications research with advanced manufacturing techniques. Every Martin Audio product is built to the highest manufacturing standards and rigorously tested to ensure that it meets the performance criteria specified in the design.



CSX218-WR