

EM25 I

High power, compact sub-bass system

features

- ▶ High power, compact sub-bass system
- ▶ 2 x 15" (380mm) drive units
- ▶ High bass output

applications

- ▶ Music playback in clubs and bars
- ▶ AV presentations
- ▶ Theatres
- ▶ Conference centres



architectural

Developed for use with EM Series full-range systems, this very high powered compact sub-bass enclosure features extended LF from two optimally tuned 15" drive units capable of providing high system output levels.

The rugged EM25 I is designed for use on the ground, delivering exceptionally high bass output with increased system headroom. It is designed to be used in conjunction with Martin Audio EMX1A or EMX2A controllers which provide an active crossover of 120Hz, plus system limiting and equalisation.

Century Point, Halifax Road, Cressex Business Park,
High Wycombe, Buckinghamshire HP12 3SL, England.
Telephone: +44 (0)1494 535312 Facsimile: +44 (0)1494 438669
E-mail: info@martin-audio.com
All information is Copyright © 2003 Martin Audio Ltd.

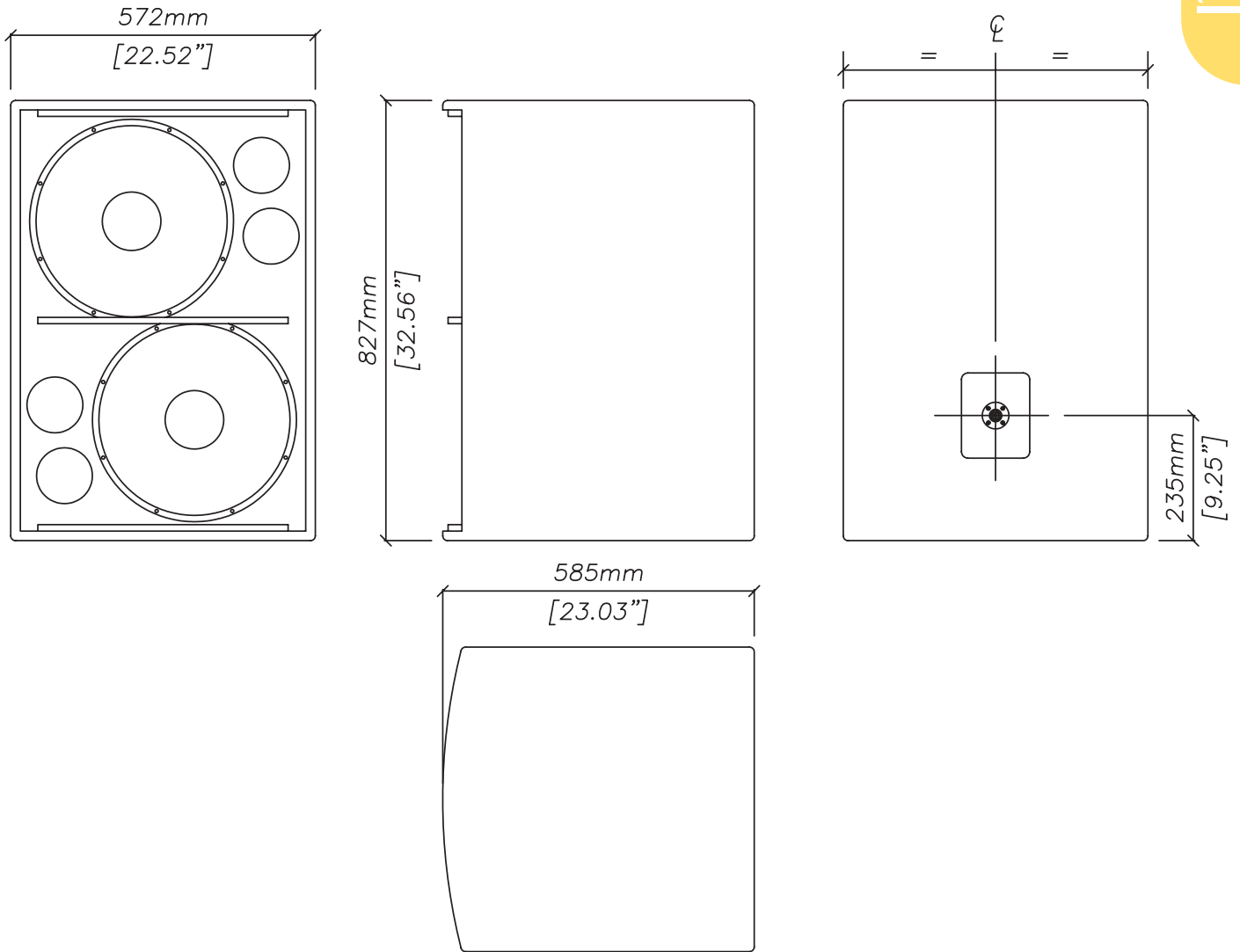


EM25 I

High power, compact sub-bass system

overall dimensions

architectural



EM251

Century Point, Halifax Road, Cressex Business Park,
High Wycombe, Buckinghamshire HP12 3SL, England.
Telephone: +44 (0)1494 535312 Facsimile: +44 (0)1494 438669
E-mail: info@martin-audio.com
All information is Copyright © 2003 Martin Audio Ltd.



EM25 I

High power, compact sub-bass system

technical specifications

TYPE	Compact, dual-driver sub-bass system
FREQUENCY RESPONSE (1)	38Hz-120Hz \pm 3dB
DRIVERS	2 x 15" (380mm) bass driver
RATED POWER (2)	800W AES, 3200W peak
RECOMMENDED AMPLIFIER	550-800W into 4 ohms
SENSITIVITY (3)	99dB
MAXIMUM SPL (4)	126dB continuous, 132dB peak
NOMINAL IMPEDANCE	4 ohms
DISPERSION (-6dB)	-
CROSSOVER	120Hz active (via EMX1A/EMX2A)
ENCLOSURE	200 litre, vented
FINISH	Textured green paint
PROTECTIVE GRILLE	Grey perforated steel
CONNECTORS	1 x Neutrik NL4
FITTINGS	-
DIMENSIONS	(W) 572mm x (H) 827mm x (D) 585mm (W) 22.5ins x (H) 32.5ins x (D) 23ins
WEIGHT	58.5kg (129lbs)

architectural and engineering specifications

The loudspeaker system shall be of the dual-driver sub-bass type consisting of two 15" (380mm) direct radiating reflex loaded low frequency transducers. The loudspeaker system shall operate with a separate dedicated electronic system controller.

Performance of the loudspeaker system with its electronic controller shall meet or exceed the following criteria:

Frequency response measured 1 metre on axis shall be 38Hz-120Hz \pm 3dB.

Power handling shall be 800W AES, 3200W peak.

Rated impedance shall be 4 ohms.

Maximum SPL measured at 1 metre on axis shall be 126dB continuous, 132dB peak.

Dimensions (W) 572mm x (H) 827mm x (D) 585mm (22.5ins x 32.5ins x 23ins).

Weight 58.5kg (129lbs).

The loudspeaker system shall be the Martin Audio EM25 I.

Notes

- (1) Measured on-axis in half space at 2 metres, then referred to 1 metre.
- (2) AES Standard ANSI S4.26-1984.
- (3) Measured in half space conditions at 2 metres with 1 watt input, using band limited pink noise, then referred to 1 metre.
- (4) Measured in half space conditions at 2 metres using band limited pink noise, then referred to 1 metre.

Trade Descriptions Act

Due to Martin Audio's policy of continuing improvement, we reserve the right to alter these specifications without prior notice. Martin Audio is committed to refining state of the art sound reinforcement, combining in-depth product and field applications research with advanced manufacturing techniques. Every Martin Audio product is built to the highest manufacturing standards and rigorously tested to ensure that it meets the performance criteria specified in the design.

Century Point, Halifax Road, Cressex Business Park,
High Wycombe, Buckinghamshire HP12 3SL, England.
Telephone: +44 (0)1494 535312 Facsimile: +44 (0)1494 438669
E-mail: info@martin-audio.com
All information is Copyright © 2003 Martin Audio Ltd.

