

LE350A

Low profile differential dispersion floor monitor

features

- ▶ Compact low profile enclosure
- ▶ Differential dispersion horn
- ▶ High power 12" (300mm) diameter 3" (75mm) voice coil bass driver
- ▶ 1" (25mm) exit compression driver
- ▶ Left or right handed capability

applications

- ▶ High power stage monitoring



touring and professional

The Martin Audio LE350A is an ultra-compact, high power, low profile stage monitor. It has been designed to be unobtrusive yet provide maximum stage monitor performance.

The LE350A utilises unique differential dispersion horn technology to define a constant sound pressure level over a large area in which the artist may move. Within this area the frequency response and tonal characteristics remain substantially unchanged. This is achieved by progressively varying the horizontal dispersion from wide to narrow, the further the performer moves away from the monitor. This narrowing of dispersion effectively changes the forward gain of the horn, this increase in the forward gain enables the monitor to throw further, increasing the effective operating range of the monitor, whilst reducing excess spill.

The benefits of using differential dispersion technology are twofold. Firstly the monitor engineer can plan EQ settings with high sound pressure levels in the confidence that there will be no spillage or problematic frequency changes over the defined area and secondly, the user can move well away from the monitor whilst continuing to receive accurate information which will cut through the highest on-stage ambient levels.

The bass driver is a high power 12" (300mm) diameter, 3" (75mm) voice coil transducer which is passively networked to the compression driver, which is a 1" (25mm) exit titanium proprietary unit. This provides high power handling with extended high frequency reproduction.

The LE350A provides high power monitoring for professional applications where performance and utilisation of limited space are of utmost importance.

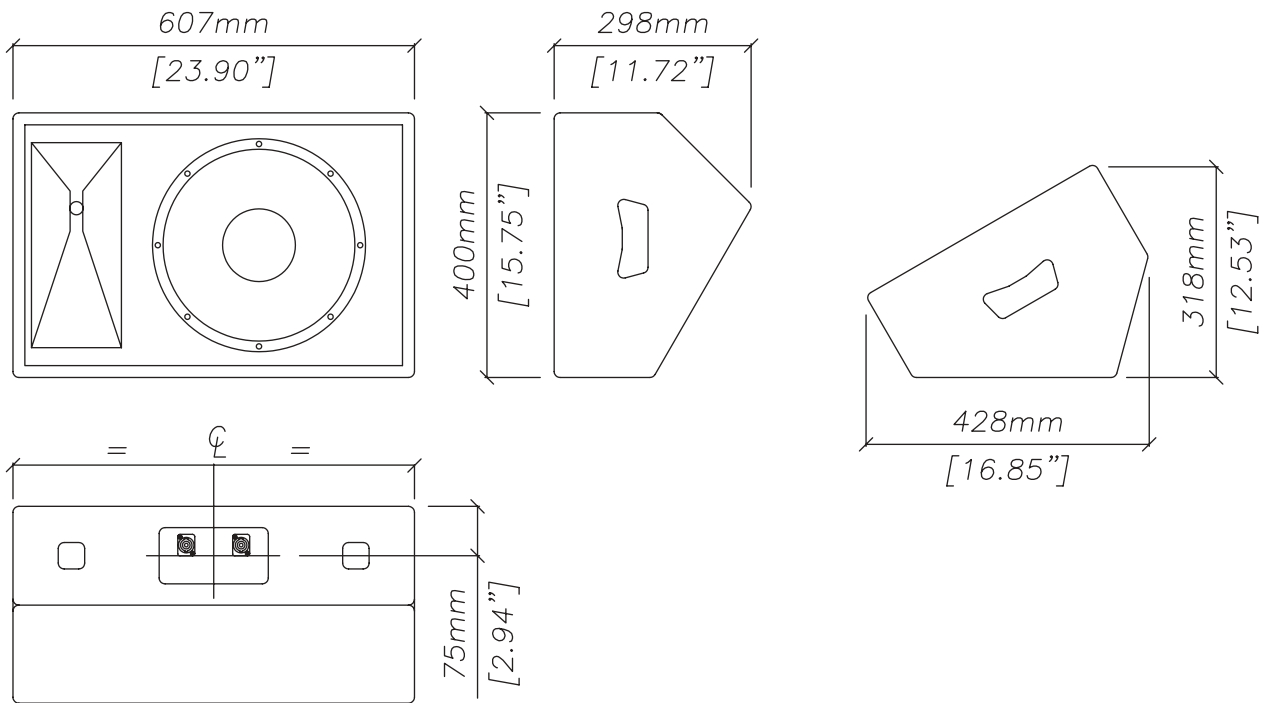
Century Point, Halifax Road, Cressex Business Park,
High Wycombe, Buckinghamshire HP12 3SL, England.
Telephone: +44 (0)1494 535312 Facsimile: +44 (0)1494 438669
E-mail: info@martin-audio.com
All information is Copyright © 2003 Martin Audio Ltd.



LE350A

Low profile differential dispersion floor monitor

overall dimensions



LE350A

touring and professional

Century Point, Halifax Road, Cressex Business Park,
High Wycombe, Buckinghamshire HP12 3SL, England.
Telephone: +44 (0)1494 535312 Facsimile: +44 (0)1494 438669
E-mail: info@martin-audio.com
All information is Copyright © 2003 Martin Audio Ltd.



LE350A

Low profile differential dispersion floor monitor

technical specifications

TYPE	Two-way reflex enclosure with differential dispersion HF horn
FREQUENCY RESPONSE (1)	70Hz-18kHz \pm 3dB
DRIVERS	12" (300mm)/3" (75mm) voice coil 1" (25mm) exit HF compression driver
RATED POWER (2)	300W AES, 1200W peak
RECOMMENDED AMPLIFIER	500-700W into 4 ohms
SENSITIVITY (3)	97dB
MAXIMUM SPL (4)	119dB continuous, 125dB peak
NOMINAL IMPEDANCE	8 ohms
DISPERSION (-6dB)	50°-100° horizontal (differential dispersion), 70° vertical
CROSSOVER	1.5kHz passive
ENCLOSURE	36 litres
FINISH	Textured black paint
PROTECTIVE GRILLE	Black perforated steel
CONNECTORS	2 x Neutrik NL4
DIMENSIONS	(W) 607mm x (H) 318mm x (D) 428mm (W) 23.9ins x (H) 12.5ins x (D) 16.9ins
WEIGHT	23.2kg (51lbs)

architectural and engineering specifications

The loudspeaker system shall be a low profile wedge monitor for on-stage foldback. It shall be of the two-way passive type consisting of one 12" (300mm) direct radiating reflex loaded low frequency transducer and one 1" (25mm) exit HF compression driver mounted on a differential dispersion, low edge diffraction horn flare. The horn flare and cone transducer shall be mounted on a rotatable baffle to facilitate left and right handed operation. Low and high frequency sections shall be integrated by an internal 1.5kHz passive crossover network.

Performance of the loudspeaker system with its electronic controller shall meet or exceed the following criteria:

Frequency response measured 1 metre on axis shall be 70Hz-18kHz \pm 3dB.

High frequency dispersion at -6dB points shall be 50°-100° H x 70° V.

Power handling shall be 300W AES, 1200W peak. Rated impedance shall be 8 ohms.

Maximum SPL measured at 1 metre on axis shall be 119dB continuous, 125dB peak.

Dimensions (W) 607mm x (H) 318mm x (D) 428mm (23.9ins x 12.5ins x 16.9ins).

Weight 23.2kg (51lbs).

The loudspeaker system shall be the Martin Audio LE350A.

Notes

- (1) Measured on-axis in half space at 2 metres, then referred to 1 metre.
- (2) AES Standard ANSI S4.26-1984.
- (3) Measured in half space conditions at 2 metres with 1 watt input, using band limited pink noise, then referred to 1 metre.
- (4) Measured in half space conditions at 2 metres using band limited pink noise, then referred to 1 metre.

Trade Descriptions Act

Due to Martin Audio's policy of continuing improvement, we reserve the right to alter these specifications without prior notice. Martin Audio is committed to refining state of the art sound reinforcement, combining in-depth product and field applications research with advanced manufacturing techniques. Every Martin Audio product is built to the highest manufacturing standards and rigorously tested to ensure that it meets the performance criteria specified in the design.

Century Point, Halifax Road, Cressex Business Park,
High Wycombe, Buckinghamshire HP12 3SL, England.
Telephone: +44 (0)1494 535312 Facsimile: +44 (0)1494 438669
E-mail: info@martin-audio.com
All information is Copyright © 2003 Martin Audio Ltd.

