

LE400C

Active/passive industry standard floor monitor

features

- ▶ High power switchable active/passive system
- ▶ Compact size
- ▶ Kick-proof grille
- ▶ Twin angle enclosure design
- ▶ Rotatable baffle for left or right handed operation

applications

- ▶ High power stage monitoring



touring and theatre

The high power LE400C is part of the family of the hugely successful industry standard Martin LE wedge monitors. Like all current LE monitors, it is available for use with left or right hand horn positions to facilitate use in pairs.

The profile of the LE400C remains instantly recognisable. It combines maximum internal enclosure volume with optimum presentation angle for nearfield stage monitor applications.

The LE400C driver complement consists of a 15" (380mm) low frequency drive unit for controlled bass performance and a 1" (25mm) exit compression driver mounted on a rectangular horn. Extended low frequency response is achieved by reflex loading the bass driver.

The major axis of the rectangular horn is mounted vertically instead of horizontally. This increases the listening window in the vertical plane and makes the performer's distance from the monitor less critical. In addition, the horizontal spread of the monitor is reduced to allow several monitors with different mixes to be lined up on the front of stage with minimum interference.

The LE400C is a switchable passive/active monitor. In the passive mode the crossover ensures that the mid-band performance is smooth both on and off axis to significantly reduce the potential for feedback in a performance situation. For increased headroom and versatility the LE400C can be used in the active mode (bi-amped). The high frequency unit is internally protected for frequencies below its intended frequency pass-band. Optimum performance of the LE400C in active mode is achieved when used with the DXI System Controller configured for the LE400C.

The LE400C is fitted with a kick-proof steel grille and side handles.

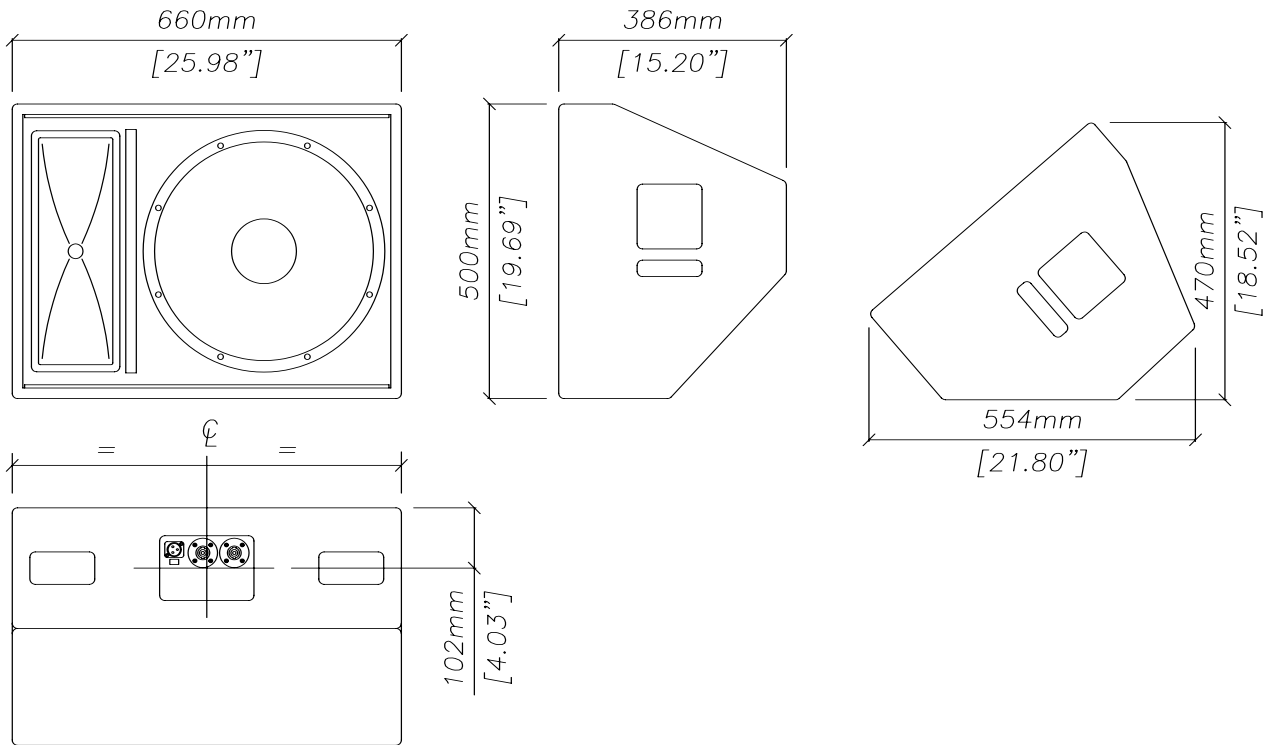
Century Point, Halifax Road, Cressex Business Park,
High Wycombe, Buckinghamshire HP12 3SL, England.
Telephone: +44 (0)1494 535312 Facsimile: +44 (0)1494 438669
E-mail: info@martin-audio.com
All information is Copyright © 2006 Martin Audio Ltd.



LE400C

Active/passive industry standard floor monitor

overall dimensions



LE400C

touring and theatre

Century Point, Halifax Road, Cressex Business Park,
High Wycombe, Buckinghamshire HP12 3SL, England.
Telephone: +44 (0)1494 535312 Facsimile: +44 (0)1494 438669
E-mail: info@martin-audio.com
All information is Copyright © 2006 Martin Audio Ltd.



LE400C

Active/passive industry standard floor monitor

technical specifications

TYPE	Two-way active/passive stage monitor
FREQUENCY RESPONSE (5)	50Hz-18kHz \pm 3dB
DRIVERS	15" (380mm)/3" (75mm) voice coil 1" (25mm) exit HF compression driver
RATED POWER (2)	LF: 300W AES, 1200W peak HF: 60W AES, 240W peak
RECOMMENDED AMPLIFIER	500-700W into 4 ohms
SENSITIVITY (6)	LF/FR: 98dB HF: 106dB
MAXIMUM SPL (7)	LF/FR: 121dB continuous, 127dB peak HF: 123dB continuous, 129dB peak
NOMINAL IMPEDANCE	LF/(LF + HF): 8 ohms HF: 8 ohms
DISPERSION (-6dB)	40° horizontal, 70° vertical
CROSSOVER	1.2kHz active/passive
ENCLOSURE	70 litres
FINISH	Textured black paint
PROTECTIVE GRILLE	Black perforated steel
CONNECTORS	2 x Neutrik NL4, 3-Pin XLR Connector
DIMENSIONS	(W) 660mm x (H) 470mm x (D) 554mm (W) 26ins x (H) 18.5ins x (D) 21.8ins
WEIGHT	32kg (72lbs)

Notes

- (1) Measured on-axis in half space at 2 metres, then referred to 1 metre.
- (2) AES Standard ANSI S4.26-1984.
- (3) Measured in half space at 2 metres with 1 watt input, using band limited pink noise, then referred to 1 metre.
- (4) Measured in half space at 2 metres using band limited pink noise, then referred to 1 metre.
- (5) Measured on-axis in open (4π) space at 2 metres, then referred to 1 metre.
- (6) Measured in open (4π) space at 2 metres with 1 watt input, using band limited pink noise, then referred to 1 metre.
- (7) Measured in open (4π) space at 2 metres using band limited pink noise, then referred to 1 metre.

Trade Descriptions Act

Due to Martin Audio's policy of continuing improvement, we reserve the right to alter these specifications without prior notice. Martin Audio is committed to refining state of the art sound reinforcement, combining in-depth product and field applications research with advanced manufacturing techniques. Every Martin Audio product is built to the highest manufacturing standards and rigorously tested to ensure that it meets the performance criteria specified in the design.

architectural and engineering specifications

The loudspeaker system shall be a low profile wedge monitor for on-stage foldback. It shall be of the two-way active/passive type consisting of one 15" (380mm) direct radiating reflex loaded low frequency transducer and one 1" (25mm) exit HF compression driver mounted on a flat-front exponential horn flare. The horn flare and cone transducer shall be mounted on a rotatable baffle to facilitate left and right handed operation. Active or passive operation shall be selected by a switch at the front of the enclosure. In active mode the loudspeaker shall be bi-amped and operated with a separate electronic controller. In passive mode, low and high frequency sections shall be integrated by an internal 1.2kHz passive crossover network.

Performance of the loudspeaker system with its electronic controller shall meet or exceed the following criteria:

Frequency response measured 1 metre on axis shall be 50Hz-18kHz \pm 3dB.

High frequency dispersion at -6dB points shall be 40° H x 70° V.

Power handling shall be 300W AES, 1200W peak LF/(LF + HF), 60W AES, 240W peak HF.

Rated impedance shall be 8 ohms LF/(LF + HF), 8 ohms HF.

Maximum SPL measured at 1 metre on axis shall be 121dB continuous, 127dB peak.

Dimensions (W) 660mm x (H) 470mm x (D) 554mm (26ins x 18.5ins x 21.8ins).

Weight 32.5kg (72lbs).

The loudspeaker system shall be the Martin Audio LE400C.

Century Point, Halifax Road, Cressex Business Park,
High Wycombe, Buckinghamshire HP12 3SL, England.
Telephone: +44 (0)1494 535312 Facsimile: +44 (0)1494 438669
E-mail: info@martin-audio.com
All information is Copyright © 2006 Martin Audio Ltd.

