

Blackline M3

Electronic controller

portable club

features

- ▶ Dedicated Blackline Series controller
- ▶ 2-way stereo operation
- ▶ Plug-in Blackline system-specific cards
- ▶ Advanced limiter design
- ▶ 19" 1U standard rackmount

applications

- ▶ Control of Blackline Series loudspeakers
- ▶ Live and fixed installation use



The M3 is a versatile system controller, housed in a single rack unit, which has been specifically designed to enhance the performance of the Blackline range of loudspeakers. The M3 controller provides active crossover, EQ and limiter functions for the bi-amped H2 and H3 as well as various Blackline sub-bass/full-range or mid-range combinations. When used in conjunction with the F12, F15 and F215 the M3 controller will enhance the low frequency performance and high quality limiters protect the system from being overdriven.

Century Point, Halifax Road, Cressex Business Park,
High Wycombe, Buckinghamshire HP12 3SL, England.
Telephone: +44 (0)1494 535312 Facsimile: +44 (0)1494 438669
E-mail: info@martin-audio.com
All information is Copyright © 2003 Martin Audio Ltd.

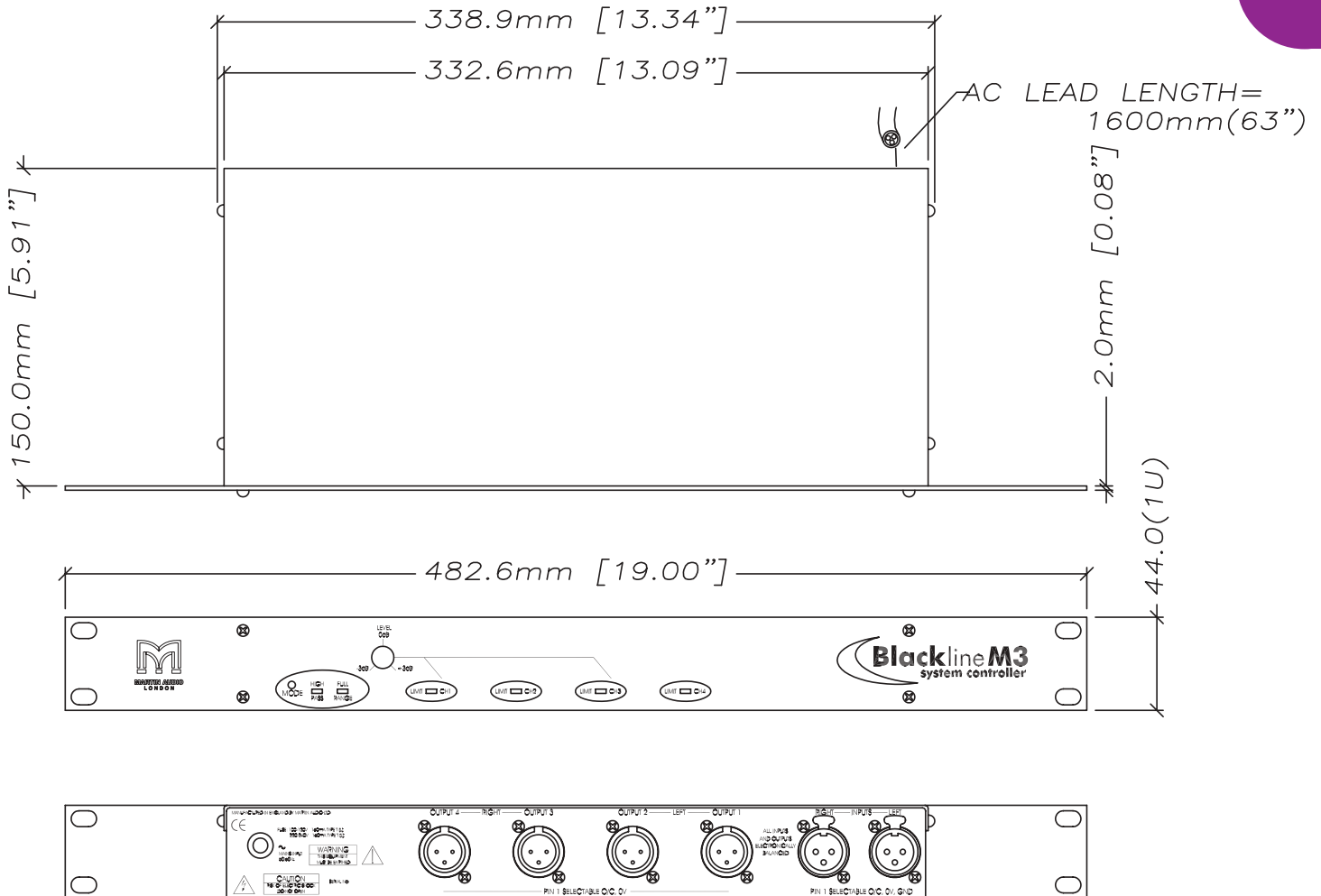


Blackline M3

Electronic controller

overall dimensions

portable club



M3

Century Point, Halifax Road, Cressex Business Park,
High Wycombe, Buckinghamshire HP12 3SL, England.
Telephone: +44 (0)1494 535312 Facsimile: +44 (0)1494 438669
E-mail: info@martin-audio.com
All information is Copyright © 2003 Martin Audio Ltd.



Blackline M3

Electronic controller

portable club

technical specifications

INPUTS	2 electronically balanced
IMPEDANCE	20K ohms (10K ohms per leg single ended)
CMRR	60dB 20Hz – 10kHz
CONNECTORS	3 pin female XLR
OUTPUTS	4 electronically balanced
SOURCE IMPEDANCE	62 ohms
MIN. LOAD IMPEDANCE	600 ohms
MAX. OUTPUT	+ 20dBu into 600 ohms
CONNECTORS	3 pin male XLR
FREQUENCY RESPONSE	-3dB @ 18Hz 12dB/octave -3dB @ 45KHz 12dB/octave (ultimately set by system parameters)
DISTORTION + NOISE	0.01% THD @ 2V output (limiters cancelled)
SIGNAL + NOISE / NOISE RATIO	> 100dB @ 2V output
LIMITERS	Individual for each channel Ratio 20:1. Threshold range – 12dBu to + 12 dBu in 16 steps
MAINS SUPPLY	Captive 2m 3 core cable with integral UK 3 pin plug
MAINS VOLTAGE	Internally selectable by hard wire link 100-120/220-240V. AC, 50/60Hz Voltage tolerance on each setting \pm 10%
MAINS FUSE	100-120V and 220-240V: 160mA Type 'T' (L)
DIMENSIONS	(W) 482mm x (H) 44mm x (D) 155mm (W) 19ins x (H) 1.7ins x (D) 6.1ins
WEIGHT	2.4kg (5.28lbs)

architectural and engineering specifications

The electronic system controller shall operate as a stereo 2-way device containing crossover, equalisation and limiter circuitry. Crossover frequencies, equalisation and delay parameters shall be set by a plug-in board dedicated to the loudspeaker system under control. All inputs and outputs shall be electronically balanced. The output levels from the unit shall have preset limiters for loudspeaker protection. Outputs 1 and 3 shall include –3dB to +3dB level control and all outputs shall include limit LED indicators. The power supply shall be capable of operating from a 100-120/220-240V 50/60Hz AC mains power source, internally selectable by a hard wire link.

Dimensions (W) 482mm x (H) 44mm (1U) x (D) 155mm (19ins x 1.75ins x 6.1ins).
Weight 2.4kg (5.28lbs).

The electronic loudspeaker system controller shall be the Martin Audio M3.

M3 controller cards

- ▶ M3-F8 F8 full-range or with S12/S15 sub-bass
- ▶ M3-F10 F10 full-range or with S12/S15/S18 sub-bass
- ▶ M3-F12-F15 F12/F15 full-range or with S15/S18 sub-bass
- ▶ M3-F12-F15SP F12/F15 with S15/S18 sub-bass, fully passive M3 controller used for limiter protection only
- ▶ M3-F12-F15S2 F12/F15 full-range or with S218 sub-bass
- ▶ M3-H3A H3 bi-amp with no sub-bass
- ▶ M3-H2A H2 bi-amp with no sub-bass
- ▶ M3-H2P H2 passive with S218 sub-bass
- ▶ M3-218H2A For use with second M3 controller to run S218 sub-bass with bi-amp H2
- ▶ M3-218H3 For use with second M3 controller to run S218 sub-bass with bi-amp H3
- ▶ M3-F215 F215 full-range or with S218 sub-bass

Trade Descriptions Act

Due to Martin Audio's policy of continuing improvement, we reserve the right to alter these specifications without prior notice. Martin Audio is committed to refining state of the art sound reinforcement, combining in-depth product and field applications research with advanced manufacturing techniques. Every Martin Audio product is built to the highest manufacturing standards and rigorously tested to ensure that it meets the performance criteria specified in the design.

Century Point, Halifax Road, Cressex Business Park,
High Wycombe, Buckinghamshire HP12 3SL, England.
Telephone: +44 (0)1494 535312 Facsimile: +44 (0)1494 438669
E-mail: info@martin-audio.com
All information is Copyright © 2003 Martin Audio Ltd.

