

Screen 3

Three-way bi-amp system

features

- ▶ Three-way design
- ▶ Very low distortion mid-range
- ▶ Very shallow profile
- ▶ 90° x 40° dispersion

applications

- ▶ Behind screen placement
- ▶ Medium scale cinemas
- ▶ Post production suites



cinema

The Screen 3 is a 3-way system, with dedicated mid-range and high frequency sections. Developed to meet the requirements of small to medium size screening rooms and post production suites that require the mid-range definition and intelligibility not achievable with a traditional 2-way system.

Century Point, Halifax Road, Cressex Business Park,
High Wycombe, Buckinghamshire HP12 3SL, England.
Telephone: +44 (0)1494 535312 Facsimile: +44 (0)1494 438669
E-mail: info@martin-audio.com
All information is Copyright © 2003 Martin Audio Ltd.

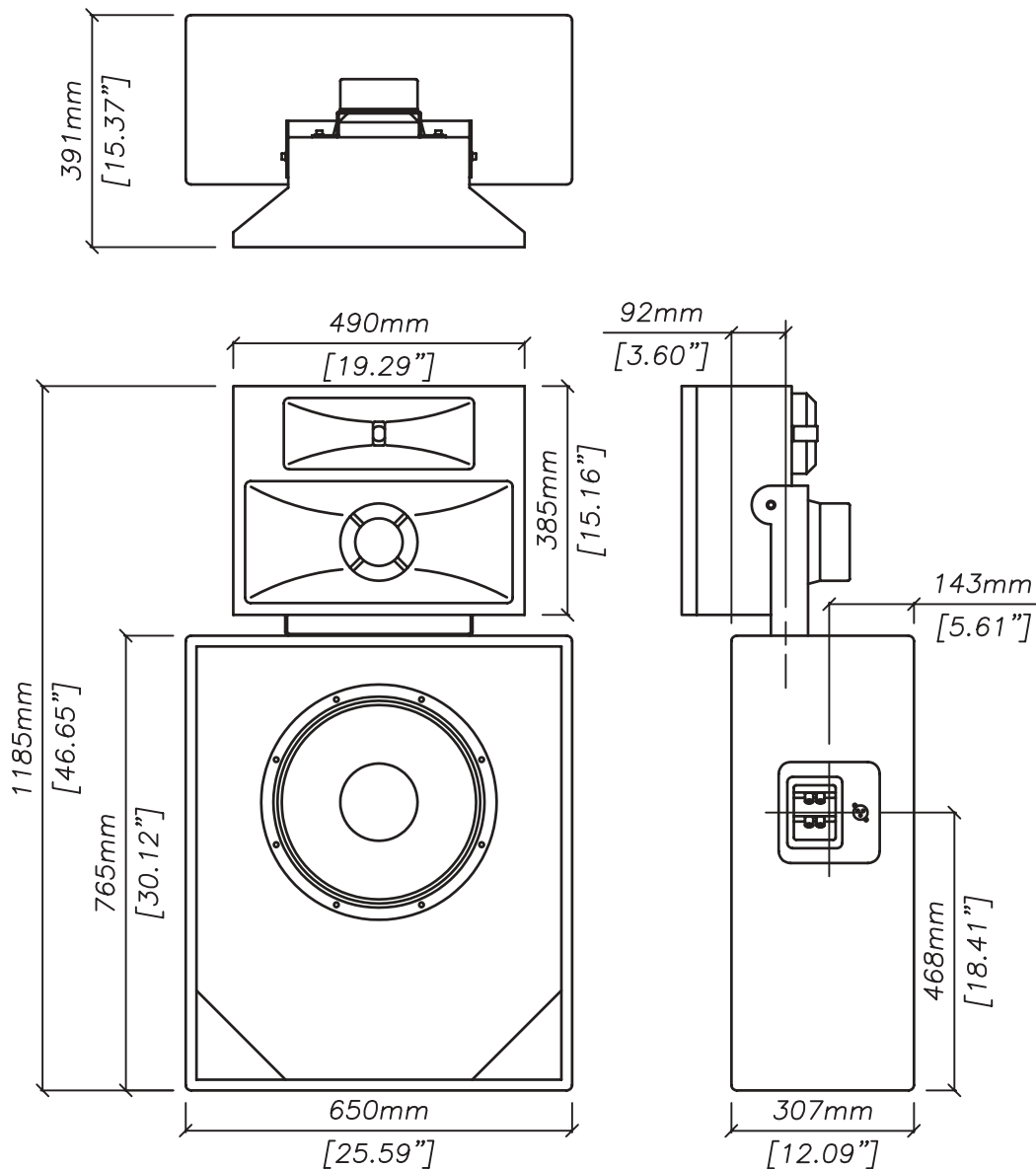


Screen 3

Three-way bi-amp system

overall dimensions

cinema



SCREEN 3

Century Point, Halifax Road, Cressex Business Park,
High Wycombe, Buckinghamshire HP12 3SL, England.
Telephone: +44 (0)1494 535312 Facsimile: +44 (0)1494 438669
E-mail: info@martin-audio.com
All information is Copyright © 2003 Martin Audio Ltd.



Screen 3

Three-way bi-amp system

technical specifications

TYPE	Three-way bi-amp screen system
FREQUENCY RESPONSE (1)	45Hz-20kHz \pm 3dB
DRIVERS	15" (380mm) bass driver 6.5" (165mm) mid driver 1" (25mm) exit compression driver
RATED POWER (2)	LF: 550W AES, 2200W peak MF + HF: 150W AES, 600W peak
SENSITIVITY (3)	LF: 98dB MF + HF: 106dB
NOMINAL IMPEDANCE	LF: 8 ohms MF + HF: 16 ohms
DISPERSION (-6dB)	90° horizontal, 40° vertical
CROSSOVER	630Hz active, 3kHz passive
ENCLOSURE	Vented
FINISH	Matt black
CONNECTORS	Binding Posts
DIMENSIONS	LF: (W) 650mm x (H) 765mm x (D) 307mm (W) 26ins x (H) 30ins x (D) 12ins MF/HF: (W) 490mm x (H) 385mm x (D) 290mm (W) 19.3ins x (H) 15.1ins x (D) 11.4ins
WEIGHT	LF: 39kg (86lbs) MF/HF: 9kg (19.8lbs)

Notes

- (1) Measured on-axis in half space at 2 metres, then referred to 1 metre.
- (2) AES Standard ANSI S4.26-1984.
- (3) Measured in half space conditions at 2 metres with 1 watt input, using band limited pink noise, then referred to 1 metre.
- (4) Measured in half space conditions at 2 metres using band limited pink noise, then referred to 1 metre.

Trade Descriptions Act

Due to Martin Audio's policy of continuing improvement, we reserve the right to alter these specifications without prior notice. Martin Audio is committed to refining state of the art sound reinforcement, combining in-depth product and field applications research with advanced manufacturing techniques. Every Martin Audio product is built to the highest manufacturing standards and rigorously tested to ensure that it meets the performance criteria specified in the design.

architectural and engineering specifications

The loudspeaker system shall be of the three-way bi-amp type supplied in two separate sections. The bass section shall consist of one 15" (380mm) direct radiating reflex loaded low frequency transducer in a shallow profile enclosure. The compound horn section shall consist of one 6.5" (165mm) mid frequency transducer mounted on a 90° x 40° horn with a 'phase-ball' loading device and one 1" (25mm) exit HF compression driver mounted on a 90° x 40° constant directivity horn. The loudspeaker system shall be operated with a separate electronic controller providing a 630Hz crossover between low and mid/high frequency sections. The mid and high frequency sections shall be integrated by an internal 3kHz passive crossover network.

Performance of the loudspeaker system with its electronic controller shall meet or exceed the following criteria:

Frequency response measured 1 metre on axis shall be 45Hz-20kHz \pm 3dB.

High frequency dispersion at -6dB points shall be 90°H x 40°V.

Power handling shall be 550W AES, 2200W peak LF, 150W AES, 600W peak MF + HF.

Rated impedance shall be 8 ohms LF, 16 ohms MF + HF.

Sensitivity 1 Watt/1 metre shall be 98dB LF, 106dB MF + HF.

Dimensions LF: (W) 650mm x (H) 765mm x (D) 307mm (26ins x 30ins x 12ins) MF/HF: (W) 490mm x (H) 385mm x (D) 290mm (19.3ins x 15.1ins x 11.4ins).

Weight LF: 39kg (86lbs) MF/HF: 9kg (19.8lbs).

The loudspeaker system shall be the Martin Audio Screen 3.

Century Point, Halifax Road, Cressex Business Park,
High Wycombe, Buckinghamshire HP12 3SL, England.
Telephone: +44 (0)1494 535312 Facsimile: +44 (0)1494 438669
E-mail: info@martin-audio.com
All information is Copyright © 2003 Martin Audio Ltd.

