

Screen 5

Three-way tri-amp system

features

- ▶ Three-way design
- ▶ THX™ approved
- ▶ Very low distortion mid-range
- ▶ Full pattern control to 300Hz
- ▶ 90° x 50° dispersion

applications

- ▶ Behind screen placement
- ▶ Premier/Showcase cinemas
- ▶ Preview theatres



cinema

The Screen 5 full-range system has been developed for use in medium to large-scale cinema environments. The system consists of a 2 x 15" (380mm) low frequency section plus a unique mid-range and high frequency horn which exhibits ideal pattern control across its operating range from 300Hz-20kHz. The Screen 5 is approved by Lucasfilm for use in category 2 (80ft or less in length and under 180000ft³ in volume) THX theatres.

The Screen 5 benefits from the same compound mid-range/HF horn as the Screen 6 giving exemplary performance and focused coverage over its entire operating bandwidth.

The Screen 5 requires tri-amplification and would normally be operated via a THX Controller or Martin Audio DXI Loudspeaker Management System.

Century Point, Halifax Road, Cressex Business Park,
High Wycombe, Buckinghamshire HP12 3SL, England.
Telephone: +44 (0)1494 535312 Facsimile: +44 (0)1494 438669
E-mail: info@martin-audio.com
All information is Copyright © 2003 Martin Audio Ltd.

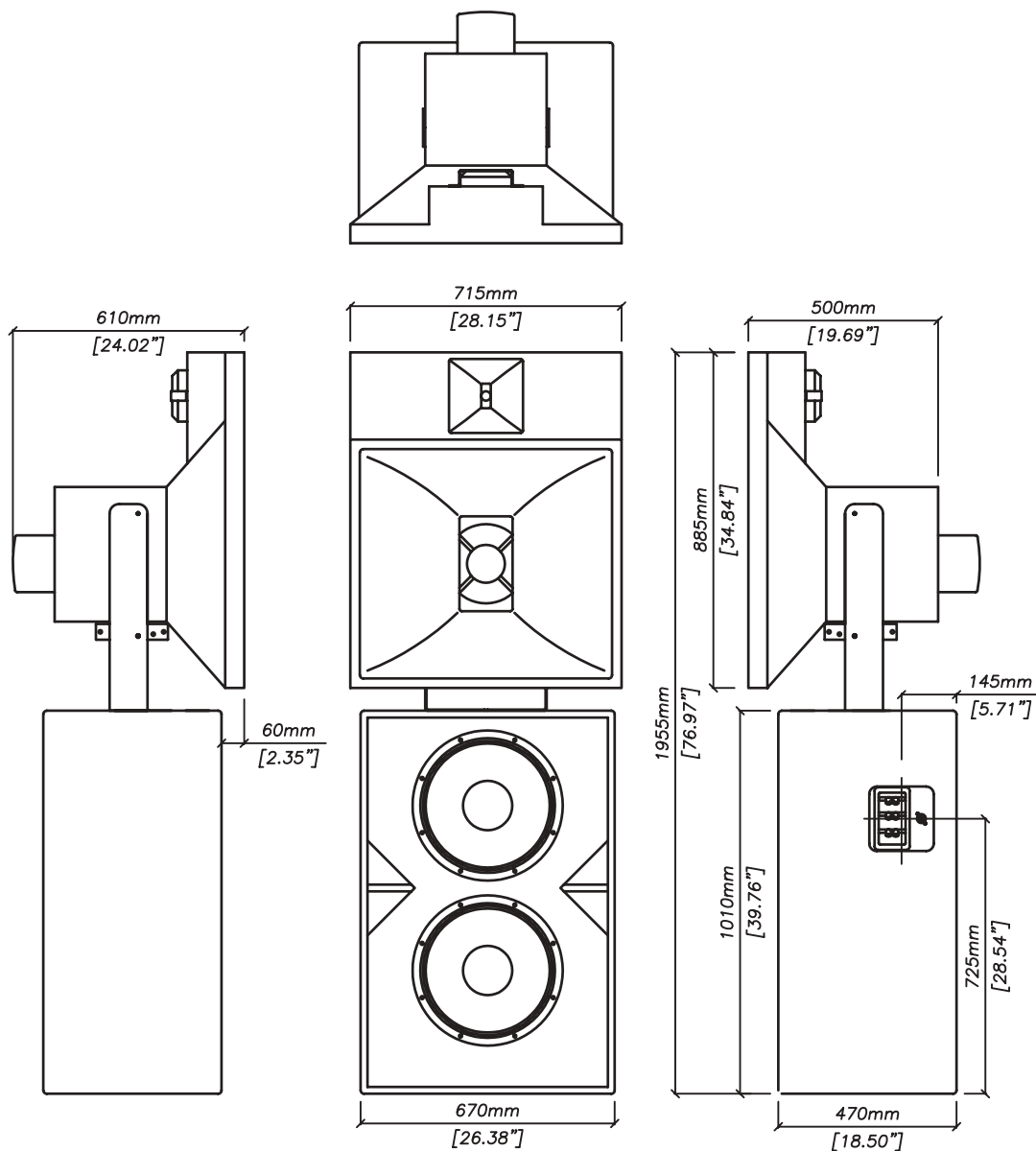


Screen 5

Three-way tri-amp system

overall dimensions

cinema



SCREEN_5

Century Point, Halifax Road, Cressex Business Park,
High Wycombe, Buckinghamshire HP12 3SL, England.
Telephone: +44 (0)1494 535312 Facsimile: +44 (0)1494 438669
E-mail: info@martin-audio.com
All information is Copyright © 2003 Martin Audio Ltd.



Screen 5

Three-way tri-amp system

technical specifications

TYPE	Three-way tri-amp screen system
FREQUENCY RESPONSE (1)	45Hz-20kHz \pm 3dB
DRIVERS	2 x 15" (380mm) bass driver 6.5" (165mm) mid driver 1" (25mm) exit compression driver
RATED POWER (2)	LF: 800W AES, 3200W peak MF: 150W AES, 600W peak HF: 60W AES, 240 peak
SENSITIVITY (3)	LF: 100dB MF: 107dB HF: 110dB
NOMINAL IMPEDANCE	LF: 4 ohms MF: 8 ohms HF: 8 ohms
DISPERSION (-6dB)	90° horizontal, 50° vertical
CROSSOVER	300-500Hz active, 2.2kHz active
ENCLOSURE	Vented
FINISH	Matt black
CONNECTORS	Binding Posts
DIMENSIONS	LF: (W) 670mm x (H) 1010mm x (D) 470mm (W) 26.4ins x (H) 39.8ins x (D) 18.5ins MF/HF: (W) 715mm x (H) 885mm x (D) 610mm (W) 28.1ins x (H) 34.8ins x (D) 24ins
WEIGHT	LF: 61kg (134.5lbs) MF/HF: 18kg (39.6lbs)



approved by Lucasfilm for use in THX™ theatres.

Notes

- (1) Measured on-axis in half space at 2 metres, then referred to 1 metre.
- (2) AES Standard ANSI S4.26-1984.
- (3) Measured in half space conditions at 2 metres with 1 watt input, using band limited pink noise, then referred to 1 metre.
- (4) Measured in half space conditions at 2 metres using band limited pink noise, then referred to 1 metre.

Trade Descriptions Act

Due to Martin Audio's policy of continuing improvement, we reserve the right to alter these specifications without prior notice. Martin Audio is committed to refining state of the art sound reinforcement, combining in-depth product and field applications research with advanced manufacturing techniques. Every Martin Audio product is built to the highest manufacturing standards and rigorously tested to ensure that it meets the performance criteria specified in the design.

architectural and engineering specifications

The loudspeaker system shall be of the three-way tri-amp type supplied in two separate sections. The bass section shall consist of two 15" (380mm) direct radiating reflex loaded low frequency transducers in a shallow profile enclosure. The large format compound horn section shall consist of one 6.5" (165mm) treated cone driver mounted on a 90° x 50° horn with a 'phase-ball' loading device and one 1" (25mm) exit HF compression driver mounted on a 90° x 50° constant directivity horn. The loudspeaker system shall be operated with a separate electronic controller providing a 300-500Hz crossover between low and mid frequency sections, and a 2.2kHz crossover between mid and high frequency sections.

Performance of the loudspeaker system with its electronic controller shall meet or exceed the following criteria:

Frequency response measured 1 metre on axis shall be 45Hz-20kHz \pm 3dB.

High frequency dispersion at -6dB points shall be 90° H x 50° V.

Power handling shall be 800W AES, 3200W peak LF, 150W AES, 600W peak MF, 60W AES, 240W peak HF. Rated impedance shall be 4 ohms LF, 8 ohms MF, 8 ohms HF.

Sensitivity 1 Watt/1 metre shall be 100dB LF, 107dB MF, 110dB HF.

Dimensions LF: (W) 670mm x (H) 1010mm x (D) 470mm (26.4ins x 39.8ins x 18.5ins) MF/HF: (W) 715mm x (H) 885mm x (D) 610mm (28.1ins x 34.8ins x 24ins).

Weight LF: 61kg (134.5lbs) MF/HF: 18kg (39.6lbs).

The loudspeaker system shall be approved by Lucasfilm for use in Category 2 THX™ Theatres.

The loudspeaker system shall be the Martin Audio Screen 5.

Century Point, Halifax Road, Cressex Business Park,
High Wycombe, Buckinghamshire HP12 3SL, England.
Telephone: +44 (0)1494 535312 Facsimile: +44 (0)1494 438669
E-mail: info@martin-audio.com
All information is Copyright © 2003 Martin Audio Ltd.

