

Screen 6

Three-way tri-amp system

cinema

features

- ▶ Three-way design
- ▶ THX™ approved
- ▶ Very low distortion mid-range
- ▶ Full pattern control to 300Hz
- ▶ 90° x 50° dispersion

applications

- ▶ Behind screen placement
- ▶ Premier/Showcase cinemas



The Screen 6 full-range system has been developed for use in large to very large-scale cinema environments. The system consists of a 4 x 15" (380mm) low frequency section plus a unique mid-range unit and high frequency horn which exhibits ideal pattern control across its operating range from 300Hz-20kHz. The Screen 6 is approved by Lucasfilm for use in category 3 (over 80ft in length or over 180000ft³ in volume) THX theatres.

The compound mid-range/HF horn has been engineered to overcome the distortion and power handling constraints of the traditional 2-way approach, where a single large format compression driver is used to produce both mid and high frequencies.

The mid section of the Screen 6 features a 6.5" (165mm) treated cone driver mounted on a large 90° x 50° horn which offers true pattern control down to 300Hz in both the horizontal and vertical planes. The driver is loaded by the Martin trademark 'phase-ball' device to maintain consistent off-axis performance right across the mid-band. Above 2kHz, high frequencies are generated by a 1" (25mm) exit compression driver with dispersion characteristics which exactly match the mid.

The combined response of the mid-range and high frequency horns is exceptionally smooth, both on and off-axis, ensuring uniform, high quality sound reproduction throughout the cinema auditorium. The bracket supplied to mount the mid-range/HF horn can be easily adjusted in both planes.

The Screen 6 requires tri-amplification and would normally be operated via a THX controller or Martin Audio DXI Loudspeaker Management System.

Century Point, Halifax Road, Cressex Business Park,
High Wycombe, Buckinghamshire HP12 3SL, England.
Telephone: +44 (0)1494 535312 Facsimile: +44 (0)1494 438669
E-mail: info@martin-audio.com
All information is Copyright © 2003 Martin Audio Ltd.

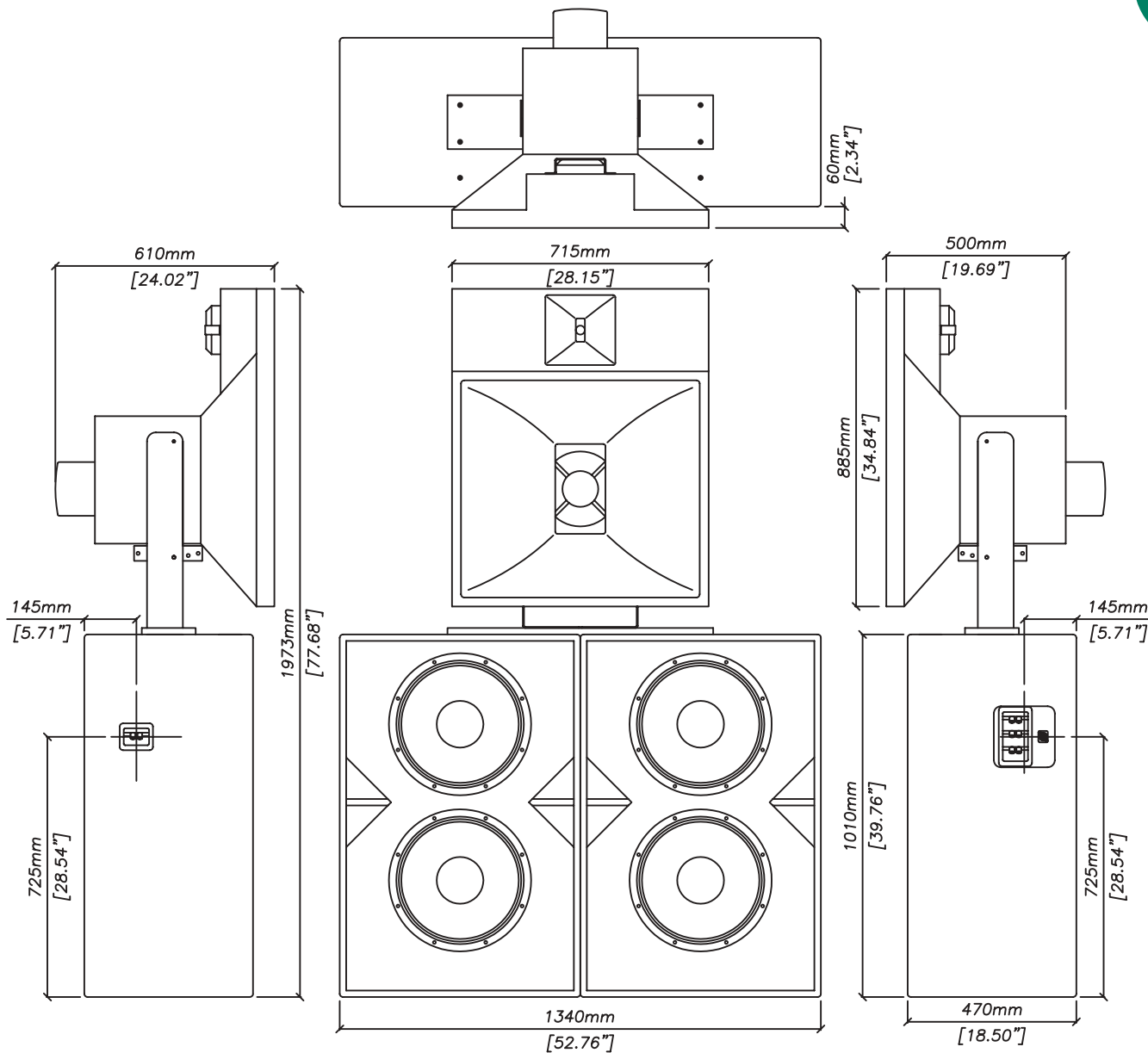


Screen 6

Three-way tri-amp system

overall dimensions

cinema



SCREEN 6

Century Point, Halifax Road, Cressex Business Park,
High Wycombe, Buckinghamshire HP12 3SL, England.
Telephone: +44 (0)1494 535312 Facsimile: +44 (0)1494 438669
E-mail: info@martin-audio.com
All information is Copyright © 2003 Martin Audio Ltd.



Screen 6

Three-way tri-amp system

technical specifications

TYPE	Three-way tri-amp screen system
FREQUENCY RESPONSE (1)	45Hz-20kHz \pm 3dB
DRIVERS	4 x 15" (380mm) bass driver 6.5" (165mm) mid driver 1" (25mm) exit compression driver
RATED POWER (2)	LF: 1600W AES, 6400W peak MF: 150W AES, 600W peak HF: 60W AES, 240 peak
SENSITIVITY (3)	LF: 103dB MF: 107dB HF: 110dB
NOMINAL IMPEDANCE	LF: 2 x 4 ohms MF: 8 ohms HF: 8 ohms
DISPERSION (-6dB)	90° horizontal, 50° vertical
CROSSOVER	420Hz active, 2kHz active
ENCLOSURE	Vented
FINISH	Matt black
CONNECTORS	Binding Posts
DIMENSIONS	LF: (W) 1340mm x (H) 1010mm x (D) 470mm (W) 52.8ins x (H) 39.8ins x (D) 18.5ins MF/HF: (W) 715mm x (H) 885mm x (D) 610mm (W) 28.1ins x (H) 34.8ins x (D) 24ins
WEIGHT	LF: 2 x 61kg (134.5lbs) MF/HF: 18kg (39.6lbs)



approved by Lucasfilm for use in THX™ theatres.

Notes

- (1) Measured on-axis in half space at 2 metres, then referred to 1 metre.
- (2) AES Standard ANSI S4.26-1984.
- (3) Measured in half space conditions at 2 metres with 1 watt input, using band limited pink noise, then referred to 1 metre.
- (4) Measured in half space conditions at 2 metres using band limited pink noise, then referred to 1 metre.

Trade Descriptions Act

Due to Martin Audio's policy of continuing improvement, we reserve the right to alter these specifications without prior notice. Martin Audio is committed to refining state of the art sound reinforcement, combining in-depth product and field applications research with advanced manufacturing techniques. Every Martin Audio product is built to the highest manufacturing standards and rigorously tested to ensure that it meets the performance criteria specified in the design.

architectural and engineering specifications

The loudspeaker system shall be of the three-way tri-amp type supplied in three separate sections. The two bass sections shall each consist of two 15" (380mm) direct radiating reflex loaded low frequency transducers in a shallow profile enclosure. The large format compound horn section shall consist of one 6.5" (165mm) treated cone driver mounted on a 90° x 50° horn with a 'phase-ball' loading device and one 1" (25mm) exit HF compression driver mounted on a 90° x 50° constant directivity horn. The loudspeaker system shall be operated with a separate electronic controller providing a 420Hz crossover between low and mid frequency sections, and a 2kHz crossover between mid and high frequency sections.

Performance of the loudspeaker system with its electronic controller shall meet or exceed the following criteria:

Frequency response measured 1 metre on axis shall be 45Hz-20kHz \pm 3dB.

High frequency dispersion at -6dB points shall be 90°H x 50°V.

Power handling shall be 1600W AES, 6400W peak LF, 150W AES, 600W peak MF, 60W AES, 240W peak HF. Rated impedance shall be 2 x 4 ohms LF, 8 ohms MF, 8 ohms HF.

Sensitivity 1 Watt/1 metre shall be 103dB LF, 107dB MF, 110dB HF.

Dimensions LF: (W) 1340mm x (H) 1010mm x (D) 470mm (52.8ins x 39.8ins x 18.5ins) MF/HF: (W) 715mm x (H) 885mm x (D) 610mm (28.1ins x 34.8ins x 24ins)

Weight LF: 2 x 61kg (134.5lbs) MF/HF: 18kg (39.6lbs).

The loudspeaker system shall be approved by Lucasfilm for use in Category 3 THX™ Theatres.

The loudspeaker system shall be the Martin Audio Screen 6.

Century Point, Halifax Road, Cressex Business Park,
High Wycombe, Buckinghamshire HP12 3SL, England.
Telephone: +44 (0)1494 535312 Facsimile: +44 (0)1494 438669
E-mail: info@martin-audio.com
All information is Copyright © 2003 Martin Audio Ltd.

