

# W8CM

Dedicated longthrow low-mid enclosure

## features

- ▶ Dedicated longthrow low-mid enclosure
- ▶ Very high SPL capability
- ▶ Constant 55° horizontal dispersion
- ▶ Load certified MAN flying points

## applications

- ▶ Live sound – open-air venues



touring and professional

The compact low-mid enclosure features two vertically aligned low-mid horns. Each is powered by a 12" (300mm) low-mid drive unit covering the band 120Hz-750Hz. The low crossover point of the W8CM enables it to be separated from bass enclosures if required. It may also be used without bass enclosures for many applications such as speech only reproduction.

For stadium applications requiring throw of over 200 metres, a column of W8CM low-mid enclosures can be constructed to ensure that important information in the 120Hz-750Hz range reaches the farthest seat in the stadium.

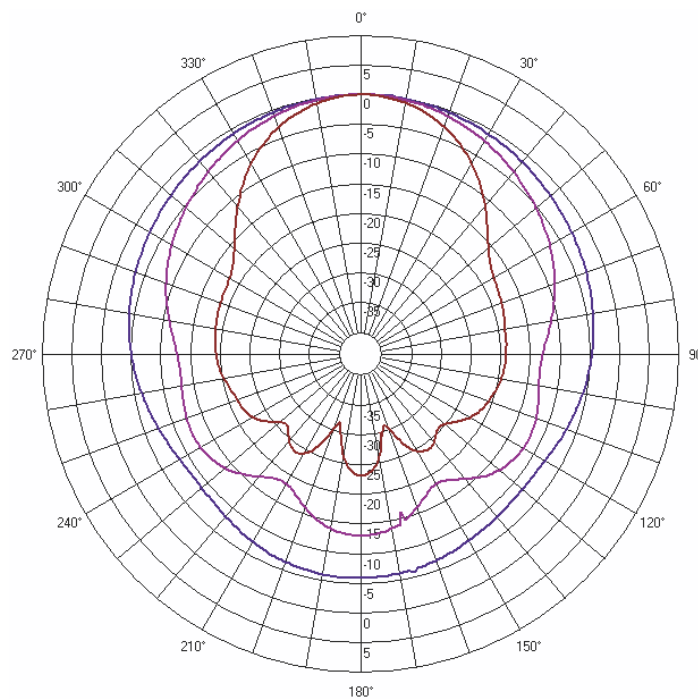
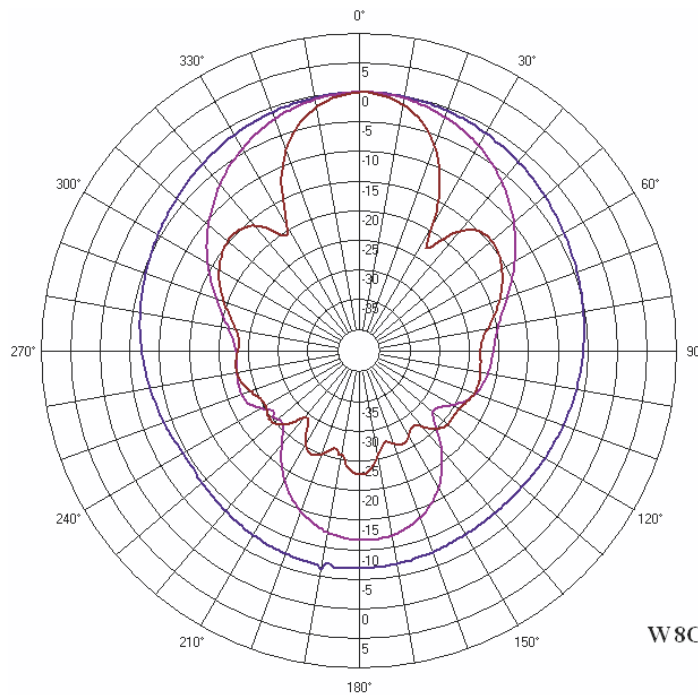
Century Point, Halifax Road, Cressex Business Park,  
High Wycombe, Buckinghamshire HP12 3SL, England.  
Telephone: +44 (0)1494 535312 Facsimile: +44 (0)1494 438669  
E-mail: [info@martin-audio.com](mailto:info@martin-audio.com)  
All information is Copyright © 2003 Martin Audio Ltd.



# W8CM

Dedicated longthrow low-mid enclosure

polar plots



touring and professional

Century Point, Halifax Road, Cressex Business Park,  
High Wycombe, Buckinghamshire HP12 3SL, England.  
Telephone: +44 (0)1494 535312 Facsimile: +44 (0)1494 438669  
E-mail: [info@martin-audio.com](mailto:info@martin-audio.com)  
All information is Copyright © 2003 Martin Audio Ltd.



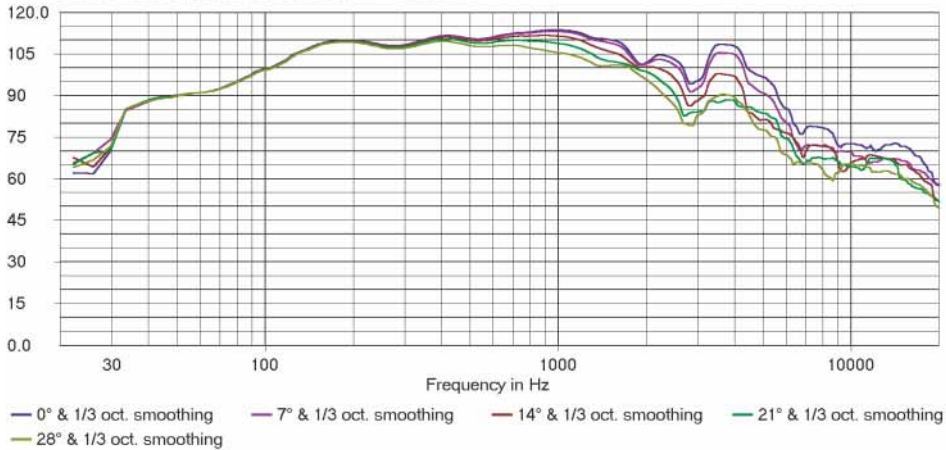
# W8CM

Dedicated longthrow low-mid enclosure

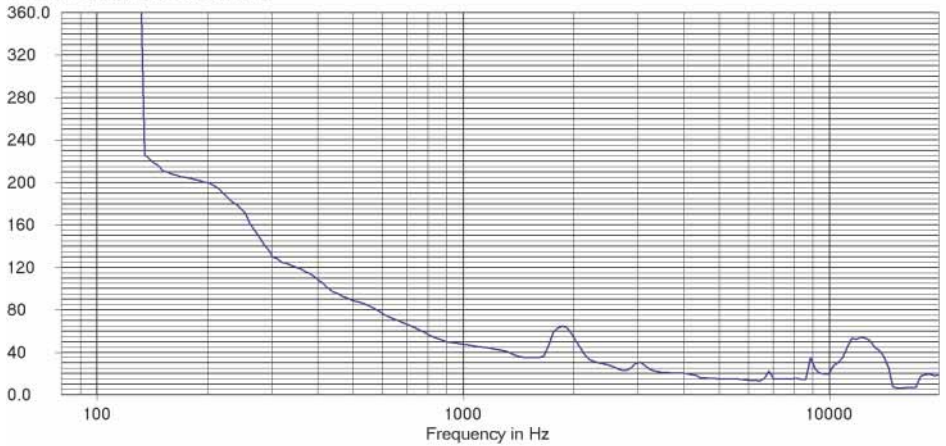
frequency responses

touring and professional

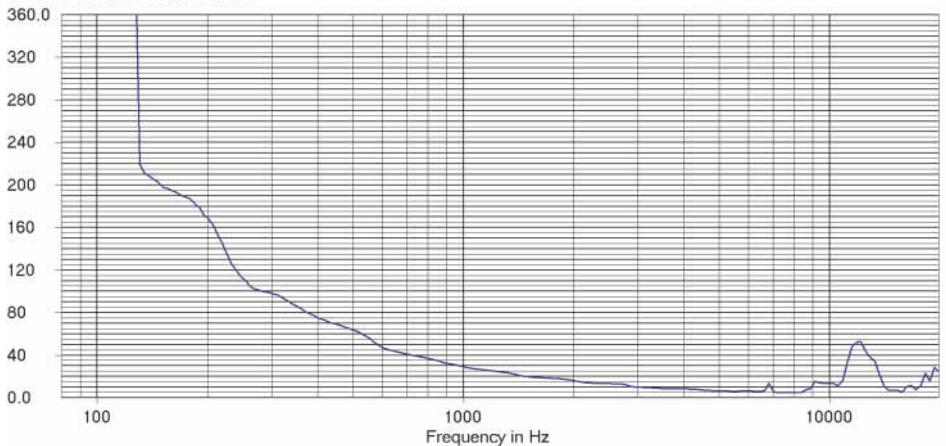
W8CM Horizontal Magnitude in dB SPL/2.83V at 1 meter



W8CM Horizontal Beamwidth



W8CM Vertical Beamwidth



Century Point, Halifax Road, Cressex Business Park,  
High Wycombe, Buckinghamshire HP12 3SL, England.  
Telephone: +44 (0)1494 535312 Facsimile: +44 (0)1494 438669  
E-mail: [info@martin-audio.com](mailto:info@martin-audio.com)  
All information is Copyright © 2003 Martin Audio Ltd.

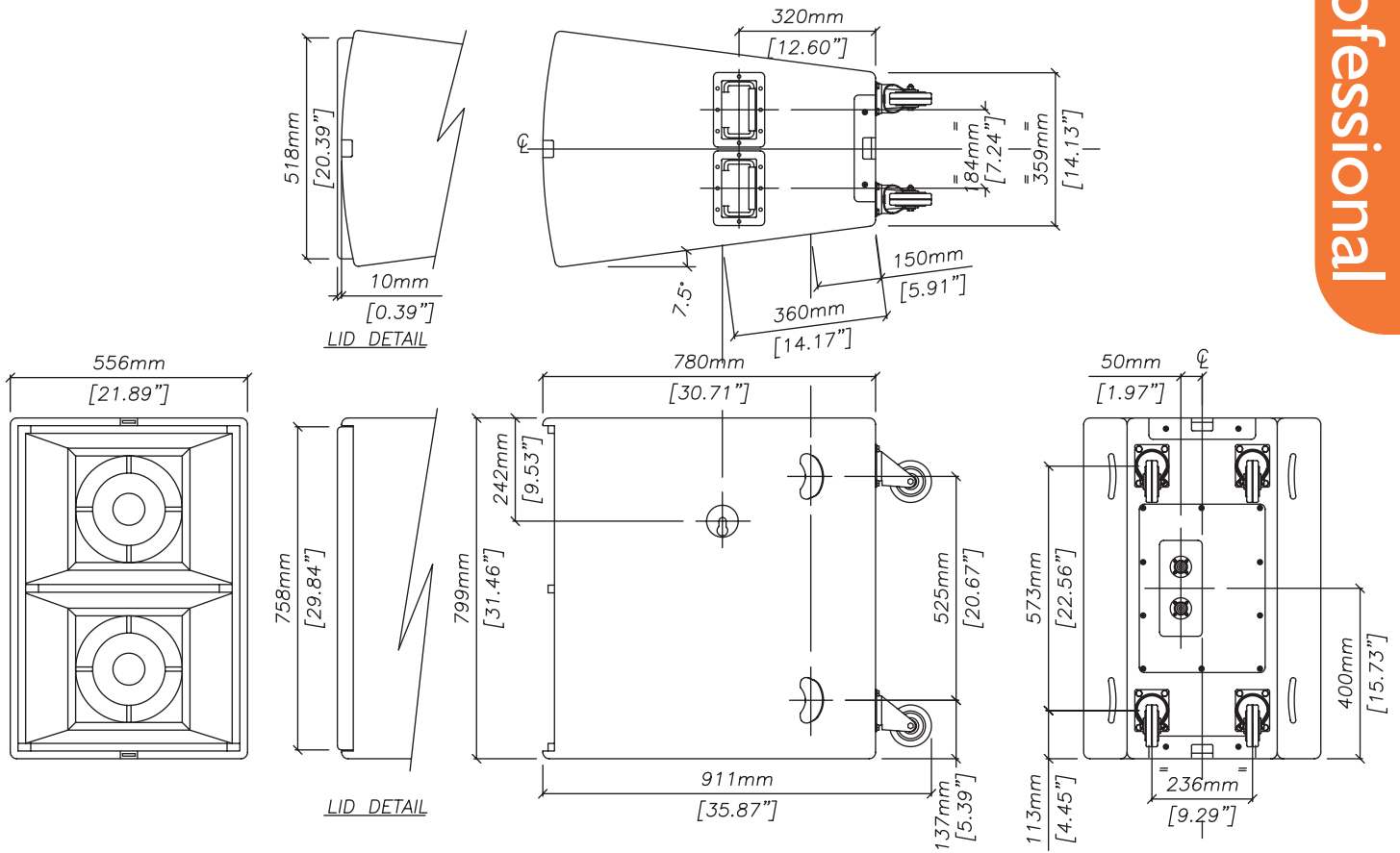


# W8CM

Dedicated longthrow low-mid enclosure

overall dimensions

touring and professional



W8CM

Century Point, Halifax Road, Cressex Business Park,  
High Wycombe, Buckinghamshire HP12 3SL, England.  
Telephone: +44 (0)1494 535312 Facsimile: +44 (0)1494 438669  
E-mail: info@martin-audio.com  
All information is Copyright © 2003 Martin Audio Ltd.



# W8CM

Dedicated longthrow low-mid enclosure

## technical specifications

TYPE	Dedicated longthrow low-mid enclosure
FREQUENCY RESPONSE (1)	120Hz-750Hz $\pm$ 3dB
DRIVERS	2 x 12" (300mm) low-mid horn
RATED POWER (2)	600W AES, 2400W peak
RECOMMENDED AMPLIFIER	400-550W into 4 ohms
SENSITIVITY (3)	109dB
MAXIMUM SPL (4)	136dB continuous, 142dB peak
NOMINAL IMPEDANCE	4 ohms
DISPERSION (-6dB)	55° horizontal, 15° vertical
CROSSOVER	120Hz, 750Hz
FINISH	Textured grey paint
PROTECTIVE GRILLE	Grey perforated steel
CONNECTORS	2 x Neutrik NL8
FITTINGS	2 x MAN Flying points
DIMENSIONS (inc. wheels)	(W) 556mm x (H) 799mm x (D) 780mm (911mm) (W) 21.9ins x (H) 31.5ins x (D) 30.7ins (35.9ins)
WEIGHT	78kg (172lbs)

## accessories

W8FKIT	Flying chain assembly
HTKQF8	Quick release flying stud / D-ring
HTKHIS	Heavyweight install stud
HTKW8HingeKit	Complete hinge kit

### Notes

- (1) Measured on-axis in half space at 2 metres, then referred to 1 metre.
- (2) AES Standard ANSI S4.26-1984.
- (3) Measured in half space conditions at 2 metres with 1 watt input, using band limited pink noise, then referred to 1 metre.
- (4) Measured in half space conditions at 2 metres using band limited pink noise, then referred to 1 metre.

### Trade Descriptions Act

Due to Martin Audio's policy of continuing improvement, we reserve the right to alter these specifications without prior notice. Martin Audio is committed to refining state of the art sound reinforcement, combining in-depth product and field applications research with advanced manufacturing techniques. Every Martin Audio product is built to the highest manufacturing standards and rigorously tested to ensure that it meets the performance criteria specified in the design.

## architectural and engineering specifications

The loudspeaker system shall be of the dedicated longthrow low-mid type consisting of two 12" (300mm) cone transducers each mounted on a horn flare with a precision moulded waveguide and vertically aligned. The enclosure shall be of the heavily braced multi-laminate trapezoidal plywood type.

Performance of the loudspeaker system with its electronic controller shall meet or exceed the following criteria:

Frequency response measured 1 metre on axis shall be 120Hz-750Hz  $\pm$  3dB.

High frequency dispersion at -6dB points shall be 55°H x 15°V.

Power handling shall be 600W AES, 2400W peak.

Rated impedance shall be 4 ohms.

Maximum SPL measured at 1 metre on axis shall be 136dB continuous, 142dB peak.

Dimensions (W) 556mm x (H) 799mm x (D) 911mm (21.9ins x 31.5ins x 35.9ins).

Weight 78kg (172lbs).

The loudspeaker system shall be the Martin Audio W8CM.