

# W8S

Hybrid™ sub-bass system

## features

- ▶ Unique hybrid horn/reflex design
- ▶ Ultra low frequency and high efficiency
- ▶ Load certified MAN flying points
- ▶ Identical dimensions to W8

## applications

- ▶ Large scale theatre and live sound touring
- ▶ Suitable for flown or ground stacked use



touring and professional

The W8S is a trapezoid sub-bass enclosure designed for use with the W8 full-range system in situations where low-frequency enhancement and extra headroom are required.

Its unique hybrid horn/reflex design combines the benefits of the fast transient bass performance of a folded horn with the extreme low-frequency extension of a reflex enclosure.

The horn and reflex sections are entirely separate - the folded horn section being powered by a high efficiency 15" (380mm) driver and the reflex section powered by a high power 18" (460mm) device. Both drivers utilise high temperature 4" (100mm) voice coils.

This combination of horn and reflex technology within a single enclosure results in a dynamic sub-bass with an efficiency of 104dB, with acoustic addition of the separate sections being maintained up to 150Hz.

The physical dimensions of the W8S are identical to the W8. It is constructed from multi-laminate birch ply and is fully equipped for touring with rear castors, grille protection and handles. It is fitted with load certified MAN flying points identical to those in the W8, allowing it to be flown with the W8 as part of the main Wavefront array.

For many applications, it may be preferable to ground stack the W8S sub-bass enclosures some distance away from the main Wavefront array. Because the low-mid of the flown W8 can operate down to 80Hz, there is no loss of acoustic power in the 100-150Hz region when the W8S sub-bass is ground stacked in this way.

Century Point, Halifax Road, Cressex Business Park,  
High Wycombe, Buckinghamshire HP12 3SL, England.  
Telephone: +44 (0)1494 535312 Facsimile: +44 (0)1494 438669  
E-mail: [info@martin-audio.com](mailto:info@martin-audio.com)  
All information is Copyright © 2003 Martin Audio Ltd.

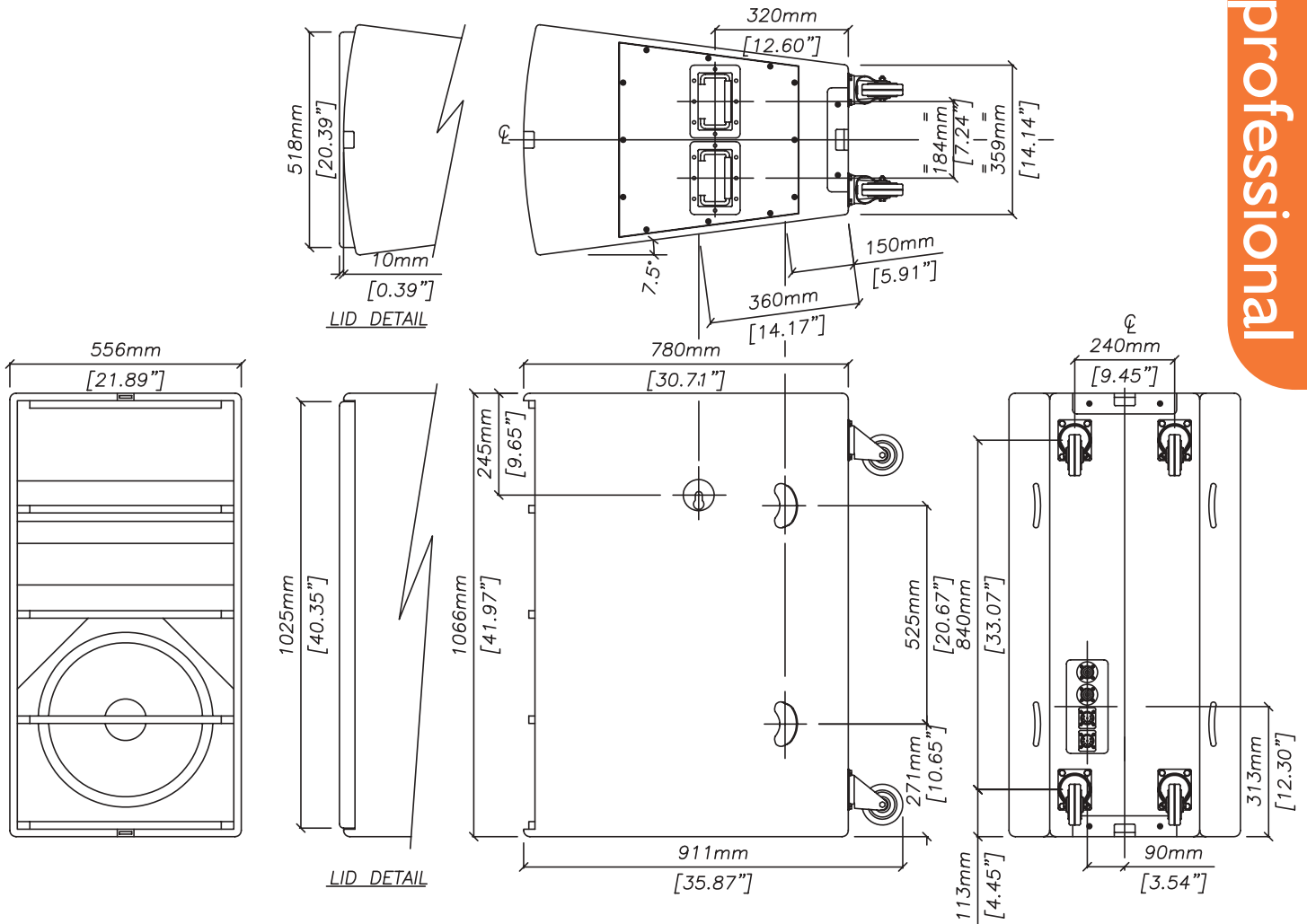


# W8S

Hybrid™ sub-bass system

overall dimensions

touring and professional



W8S

Century Point, Halifax Road, Cressex Business Park,  
High Wycombe, Buckinghamshire HP12 3SL, England.  
Telephone: +44 (0)1494 535312 Facsimile: +44 (0)1494 438669  
E-mail: info@martin-audio.com  
All information is Copyright © 2003 Martin Audio Ltd.



# W8S

Hybrid™ sub-bass system

## technical specifications

TYPE	Hybrid™ sub-bass/horn trapezoid
FREQUENCY RESPONSE (1)	40Hz-150Hz ± 3dB 30Hz @ -10dB
DRIVERS	15" (380mm) horn loaded 18" (460mm) reflex loaded
RATED POWER (2)	800W AES, 3200 peak
RECOMMENDED AMPLIFIER	700-1200W into 4 ohms
SENSITIVITY (3)	104dB
MAXIMUM SPL (4)	131dB continuous, 137dB peak
NOMINAL IMPEDANCE	8 ohms per driver
CROSSOVER	150Hz or below
FINISH	Textured grey paint
PROTECTIVE GRILLE	Grey perforated steel
CONNECTORS	2 x Neutrik NL8, 2 x EP8
FITTINGS	2 x MAN Flying points
DIMENSIONS (inc. wheels)	(W) 556mm x (H) 1066mm x (D) 780mm (911mm) (W) 21.9ins x (H) 42ins x (D) 30.7ins (35.9ins)
WEIGHT	90kg (198lbs)

## accessories

W8FKIT	Flying chain assembly
HTKQF8	Quick release flying stud / D-ring
HTKHIS	Heavyweight install stud

### Notes

- (1) Measured on-axis in half space at 2 metres, then referred to 1 metre.
- (2) AES Standard ANSI S4.26-1984.
- (3) Measured in half space conditions at 2 metres with 1 watt input, using band limited pink noise, then referred to 1 metre.
- (4) Measured in half space conditions at 2 metres using band limited pink noise, then referred to 1 metre.

### Trade Descriptions Act

Due to Martin Audio's policy of continuing improvement, we reserve the right to alter these specifications without prior notice. Martin Audio is committed to refining state of the art sound reinforcement, combining in-depth product and field applications research with advanced manufacturing techniques. Every Martin Audio product is built to the highest manufacturing standards and rigorously tested to ensure that it meets the performance criteria specified in the design.

## architectural and engineering specifications

The loudspeaker system shall be of the Hybrid™ horn/reflex loaded sub-bass type consisting of one 18" (460mm) direct radiating reflex loaded long excursion low frequency transducer and one 15" (380mm) horn loaded cone transducer in a trapezoidal plywood enclosure. The loudspeaker shall be operated with a separate electronic controller for dedicated sub-bass use.

Performance of the loudspeaker system with its electronic controller shall meet or exceed the following criteria:

Frequency response measured 1 metre on axis shall be 40Hz-150Hz ± 3dB.

Power handling shall be 800W AES, 3200W peak.

Rated impedance shall be 8 ohms per driver.

Maximum SPL measured at 1 metre on axis shall be 131dB continuous, 137dB peak.

Dimensions (W) 556mm x (H) 1066mm x (D) 911mm (21.9ins x 42ins x 35.9ins).

Weight 90kg (198lbs).

The loudspeaker system shall be the Martin Audio W8S.