

WLX

Very high output Hybrid® folded horn/reflex loaded subwoofer system

features

- ▶ Hybrid® folded horn/reflex loaded subwoofer system
- ▶ Single 18" ultra-long excursion high power bass driver
- ▶ Sensitivity 106dB 1W@1M
- ▶ Maximum SPL 142dB peak
- ▶ Frequency response 35Hz-150Hz ±3dB, -10dB @ 28Hz
- ▶ 8 ohm nominal impedance
- ▶ Fast, integral rigging system with variable splay angles

applications

- ▶ Dedicated flown sub-bass for use above W8LC or W8LM
- ▶ Flown sub-bass for use in adjacent column to W8L Longbow or W8LC
- ▶ Ground stacked sub-bass to augment low frequency output of all Martin Audio Wavefront products
- ▶ Fixed Installations



touring and theatre

The Martin Audio WLX is a high performance subwoofers featuring our trademark horn loading expertise. A derivative of the WSX, the WLX is smaller, lighter, can be flown or ground stacked with W8 line array systems and possesses high output capability with low frequency extension.

A single ultra-long excursion 18" (460mm)/ 4" (100mm) coil driver is front loaded by a hyperbolic horn with low flare rate. The rear of the driver is reflex loaded to extend the LF output to below the natural cut-off point of the horn. This Hybrid® technique marries the very high efficiency of horn loading with the extended low frequency response of a reflex enclosure.

Hybrid® low frequency horn loading packs a mid-bass punch that 2 x 18" (460mm) direct radiators cannot compete with and it convincingly out performs the low frequency extension of similar size horn-only designs.

The proprietary rigging system of the WLX is directly compatible with the W8LC. It has a 7:1 safety factor, for up to 12 cabinets and all cabinet rigging hardware is integral and remains captive in transit.

The WLX is constructed from multi-laminated birch ply and fitted with generously sized handles and wheelboard for transportation. To resist the ingress of water, the driver cone is treated with a waterproof lacquer.

When flown, one WLX provides low frequency augmentation for one W8L Longbow or up to two W8LC's. The WLX is designed to be powered by the Martin Audio iK42 power amplifier; the 8 ohm nominal impedance allows 2 cabinets to be driven from one amplifier channel.

Century Point, Halifax Road, Cressex Business Park,
High Wycombe, Buckinghamshire HP12 3SL, England.
Telephone: +44 (0)1494 535312 Facsimile: +44 (0)1494 438669
E-mail: info@martin-audio.com
All information is Copyright © 2011 Martin Audio Ltd.

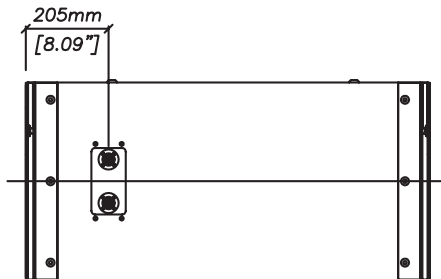
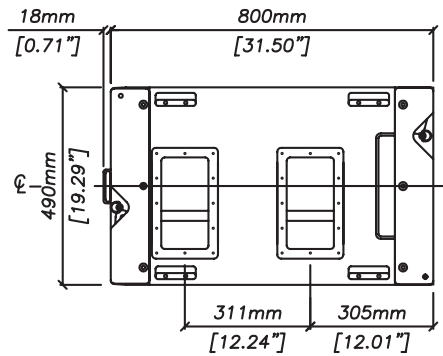
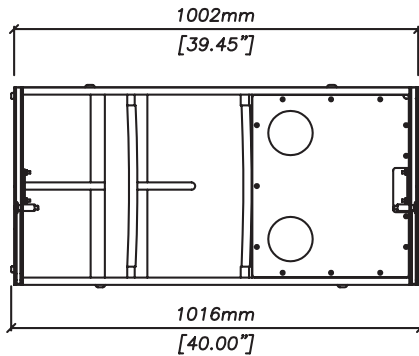
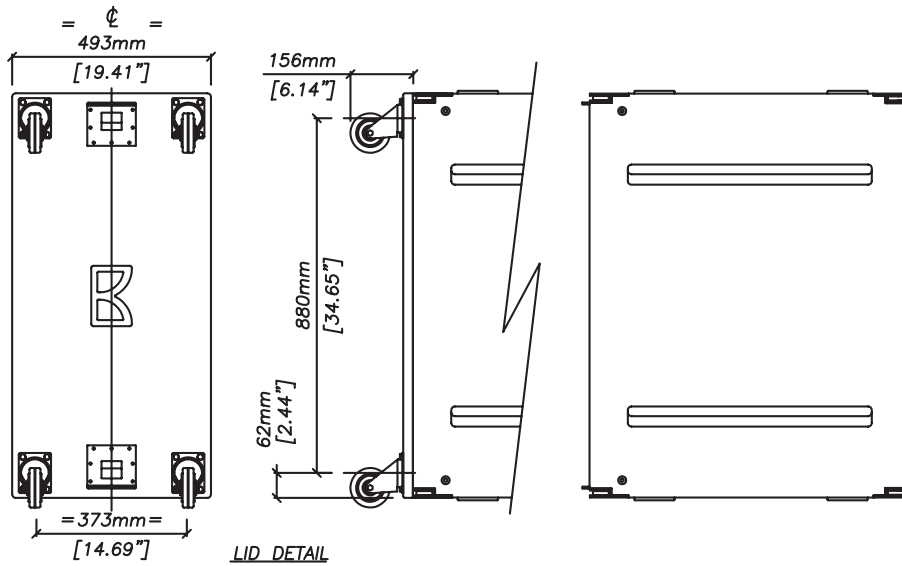


WLX

Very high output Hybrid® folded horn/reflex loaded subwoofer system

overall dimensions

touring and theatre



WLX

Century Point, Halifax Road, Cressex Business Park,
High Wycombe, Buckinghamshire HP12 3SL, England.
Telephone: +44 (0)1494 535312 Facsimile: +44 (0)1494 438669
E-mail: info@martin-audio.com
All information is Copyright © 2011 Martin Audio Ltd.



WLX

Very high output Hybrid® folded horn/reflex loaded subwoofer system

technical specifications (single enclosure)

TYPE	Hybrid® horn and reflex loaded sub-woofer
FREQUENCY RESPONSE (1)	35Hz-150Hz ± 3dB, -10dB @ 28Hz
DRIVERS	18" (460mm)/4" (100mm) voice coil, ultra-long excursion, water resistant cone
RATED POWER (2)	1000W AES, 4000W peak
RECOMMENDED AMPLIFIER	iK42
SENSITIVITY (6,3)	100dB (open space), 106dB (half space)
MAXIMUM SPL (calculated @ 1m)	130dB continuous, 136dB peak (open space) 136dB continuous, 142dB peak (half space)
NOMINAL IMPEDANCE	8 ohms
CROSSOVER	70Hz-150Hz active via DX1.5 or DX2 controller
ENCLOSURE	Rectangular, multi-laminate birch ply
FINISH	Textured black paint
PROTECTIVE GRILLE	Black perforated steel
CONNECTORS	2 x Neutrik NL8
FITTINGS	Proprietary rigging system Interlocking skids on sides and top & bottom 2 generously sized bar handles and an additional large pocket handle on each side
DIMENSIONS (inc. wheelboard)	(W) 1002mm x (H) 490mm x (D) 800mm (956mm) (W) 39.5ins x (H) 19.3ins x (D) 31.5ins (37.6ins)
WEIGHT (exc. wheelboard)	85kg (187lbs)

Notes

- (1) Measured on-axis in half space at 2 metres, then referred to 1 metre.
- (2) AES Standard ANSI S4.26-1984.
- (3) Measured in half space at 2 metres with 1 watt input, using band limited pink noise, then referred to 1 metre.
- (4) Measured in half space at 2 metres using band limited pink noise, then referred to 1 metre.
- (5) Measured on-axis in open (4 π) space at 2 metres, then referred to 1 metre.
- (6) Measured in open (4 π) space at 2 metres with 1 watt input, using band limited pink noise, then referred to 1 metre.
- (7) Measured in open (4 π) space at 2 metres using band limited pink noise, then referred to 1 metre.

Trade Descriptions Act

Due to Martin Audio's policy of continuing improvement, we reserve the right to alter these specifications without prior notice. Martin Audio is committed to refining state of the art sound reinforcement, combining in-depth product and field applications research with advanced manufacturing techniques. Every Martin Audio product is built to the highest manufacturing standards and rigorously tested to ensure that it meets the performance criteria specified in the design.

architectural and engineering specifications

The loudspeaker system shall be of the Hybrid® horn and reflex loaded sub-bass type consisting of one 18" (460mm) / 4" (100mm) long excursion low frequency transducer front loaded with a hyperbolic horn with low flare rate and rear reflex loaded. The transducer cone shall be treated with a waterproof lacquer. The enclosure shall be constructed of multi-laminate plywood with all flying hardware integral and captive. The enclosure shall be fitted with interlocking skids on sides, top and bottom. Bar handles and large pocket handles shall facilitate ease of lifting during transportation and rigging. The loudspeaker shall be operated with a separate electronic controller for dedicated sub-bass use.

Performance of the loudspeaker system with its electronic controller shall meet or exceed the following criteria:

Frequency response measured 1 metre on axis shall be 35Hz-150Hz ± 3dB.

Power handling shall be 1000W AES, 4000W peak.

Rated impedance shall be 8 ohms.

Maximum SPL measured at 1 metre on axis shall be 136dB continuous, 142dB peak.

Dimensions (W) 1002mm x (H) 490mm x (D) 800mm (39.45ins x 19.3ins x 31.5ins).

Weight 85kg (187lbs).

The loudspeaker system shall be the Martin Audio WLX.

Century Point, Halifax Road, Cressex Business Park,
High Wycombe, Buckinghamshire HP12 3SL, England.
Telephone: +44 (0)1494 535312 Facsimile: +44 (0)1494 438669
E-mail: info@martin-audio.com
All information is Copyright © 2011 Martin Audio Ltd.

