

# WTM0.5

Miniature 2-way passive stage monitor

## features

- ▶ High power compact system
- ▶ Miniature low-profile enclosure
- ▶ Twin angle cabinet design

## applications

- ▶ Unobtrusive stage monitoring
- ▶ Broadcast monitoring



The WTM0.5 is a miniature high performance stage monitor intended for use where stage space is restricted and for broadcast situations where visually unobtrusive floor monitors are required. The enclosure has been specially designed to enable it to be used at two different angles - 40° (normal) and 25° (close-up).

The WTM0.5 is a passive 2-way system featuring an 8" (200mm)/2" (50mm) voice coil bass driver and a 1" (25mm) exit HF compression driver on a 50° x 70° horn with the major axis of the horn mounted vertically instead of horizontally to increase the listening window in the vertical plane and reduce it on the horizontal plane. The drive units are housed in a rugged plywood enclosure built using the same techniques as larger Martin touring systems.

Optimum performance is achieved when the WTM0.5 is used with a system controller, such as the DX1.5, which provides low frequency equalisation and limiter functions. Because it is a passive full-range system embodying correct acoustic design principles, it may also be used without a controller - provided recommended amplifier power is not exceeded and care is taken to avoid amplifier clipping and excessive low frequencies below 70Hz.

The base of the enclosure is provided with threaded steel inserts for use with a tripod stand or for ceiling suspension. A perforated steel grille protects the drive units and a single handle allows the WTM0.5 to be easily carried with one hand.

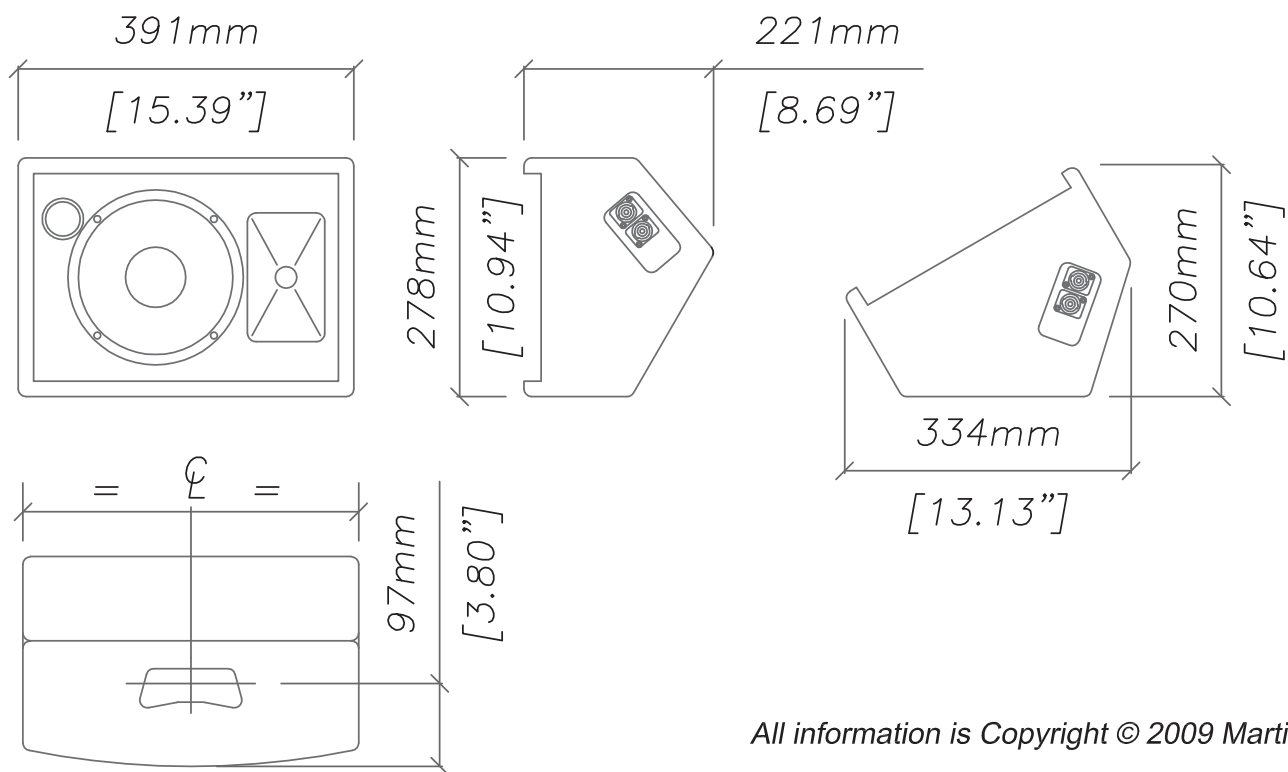
Century Point, Halifax Road, Cressex Business Park,  
High Wycombe, Buckinghamshire HP12 3SL, England.  
Telephone: +44 (0)1494 535312 Facsimile: +44 (0)1494 438669  
E-mail: [info@martin-audio.com](mailto:info@martin-audio.com)  
All information is Copyright © 2011 Martin Audio Ltd.



# WTM0.5

Miniature 2-way passive stage monitor

overall dimensions



All information is Copyright © 2009 Martin Audio Ltd.

WTM0.5

touring and theatre

# WTM0.5

Miniature 2-way passive stage monitor

## technical specifications

|                               |  |
|-------------------------------|--|
| TYPE                          | Miniature two-way passive stage monitor                                      |
| FREQUENCY RESPONSE (5)        | 70Hz-20kHz $\pm$ 3dB, -10dB @ 50Hz   |
| DRIVERS                       | 8" (200mm)/2" (50mm) voice coil LF<br>1" (25mm) exit HF compression driver   |
| RATED POWER (2)               | 150W AES, 600W peak  |
| RECOMMENDED AMPLIFIER         | MA2.0  |
| SENSITIVITY (6)               | 94dB   |
| MAXIMUM SPL (calculated @ 1m) | 115.5dB continuous, 121.5dB peak   |
| NOMINAL IMPEDANCE             | 8 ohms   |
| DISPERSION (-6dB)             | 50° horizontal, 70° vertical   |
| CROSSOVER                     | 2.5kHz passive   |
| FINISH                        | Textured black paint   |
| PROTECTIVE GRILLE             | Black perforated steel   |
| CONNECTORS                    | 2 x Neutrik NL4  |
| FITTINGS                      | 4 x M8 threaded inserts  |
| DIMENSIONS                    | (W) 391mm x (H) 270mm x (D) 334mm<br>(W) 15.4ins x (H) 10.6ins x (D) 13.1ins |
| WEIGHT                        | 9kg (19.8lbs)  |

## architectural and engineering specifications

The loudspeaker system shall be of the two-way passive type consisting of one 8" (200mm)/2" (50mm) voice coil direct radiating reflex loaded low frequency transducer and one 1" (25mm) exit HF compression driver mounted in a miniature low-profile plywood enclosure. The enclosure shall be fitted with threaded inserts for wall and ceiling mounting. Low and high frequency sections shall be integrated by an internal 2.5kHz passive crossover network.

Performance of the loudspeaker system with its electronic controller shall meet or exceed the following criteria:

Frequency response measured 1 metre on axis shall be 70Hz-20kHz  $\pm$  3dB, -10dB @ 50Hz.

High frequency dispersion at -6dB points shall be 50° H x 70° V.

Power handling shall be 150W AES, 600W peak.

Rated impedance shall be 8 ohms.

Maximum SPL measured at 1 metre on axis shall be 115.5dB continuous, 121.5dB peak.

Dimensions (W) 391mm x (H) 270mm x (D) 334mm (15.4ins x 10.6ins x 13.1ins).

Weight 9kg (19.8lbs).

The loudspeaker system shall be the Martin Audio WTM0.5.

### Notes

- (1) Measured on-axis in half space at 2 metres, then referred to 1 metre.
- (2) AES Standard ANSI S4.26-1984.
- (3) Measured in half space at 2 metres with 1 watt input, using band limited pink noise, then referred to 1 metre.
- (4) Measured in half space at 2 metres using band limited pink noise, then referred to 1 metre.
- (5) Measured on-axis in open ( $4\pi$ ) space at 2 metres, then referred to 1 metre.
- (6) Measured in open ( $4\pi$ ) space at 2 metres with 1 watt input, using band limited pink noise, then referred to 1 metre.
- (7) Measured in open ( $4\pi$ ) space at 2 metres using band limited pink noise, then referred to 1 metre.

### Trade Descriptions Act

Due to Martin Audio's policy of continuing improvement, we reserve the right to alter these specifications without prior notice. Martin Audio is committed to refining state of the art sound reinforcement, combining in-depth product and field applications research with advanced manufacturing techniques. Every Martin Audio product is built to the highest manufacturing standards and rigorously tested to ensure that it meets the performance criteria specified in the design.

Century Point, Halifax Road, Cressex Business Park,  
High Wycombe, Buckinghamshire HP12 3SL, England.  
Telephone: +44 (0)1494 535312 Facsimile: +44 (0)1494 438669  
E-mail: [info@martin-audio.com](mailto:info@martin-audio.com)  
All information is Copyright © 2011 Martin Audio Ltd.

